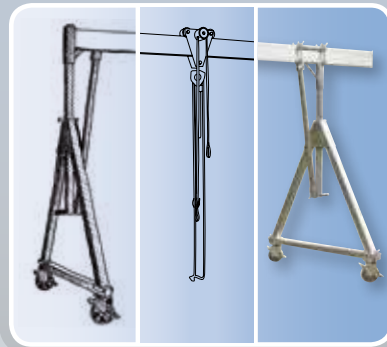




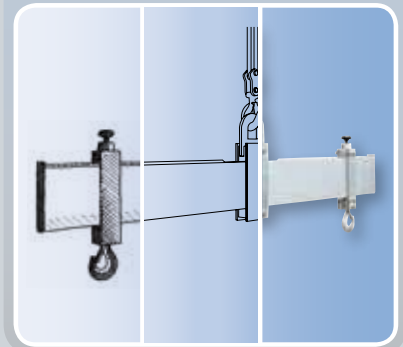
English



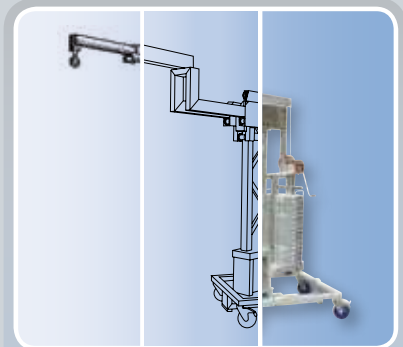
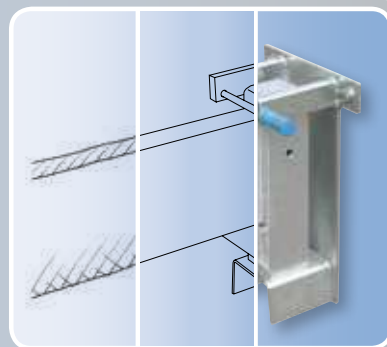
Aluminium Gantry Cranes



Various Lifting Equipment



Accessories



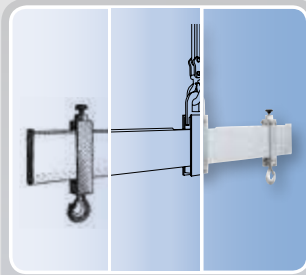
Custom-Made Equipment

Products

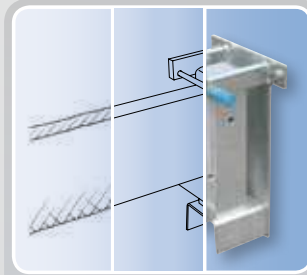




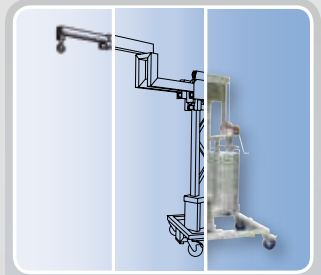
Aluminium Gantry
Cranes



Various Lifting
Equipment



Accessories



Custom-Made
Equipment





Welcome!

... from the idea to the finished product ...

As you can already see on the front page, you purchase from us quality and receive 100% originals.

We are pleased to present you our product range with the following content:

- ▣ Aluminium Gantry Cranes
- ▣ Various Lifting Equipment
- ▣ Accessories
- ▣ Custom-Made Equipment.

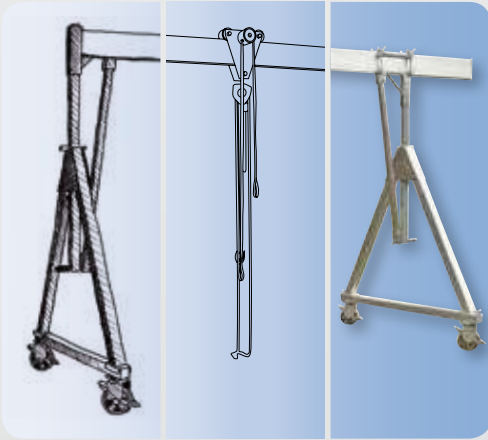
Our complete focus is based on the development of our products to make your daily work easier. This aspiration will also remain true and fulfilled in the future.

There are also your valuable suggestions, requirements and wishes that help us to improve our existing range and constantly incorporate new ideas to enable us to offer new products and solutions.

Have fun browsing!

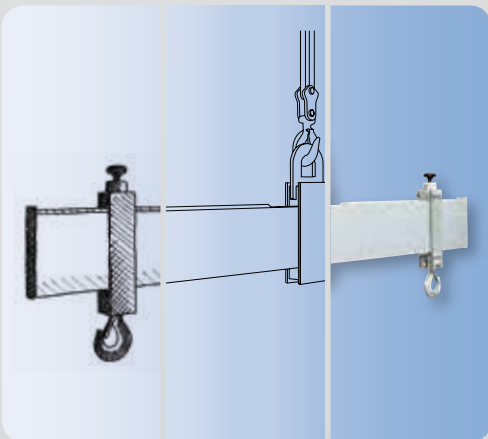


Aluminium Gantry Cranes



- Item no. **13** ... Aluminium Gantry Cranes
stationary model
load capacity 1,000 kg and 1,500 kg page 8 to 13
- Item no. **15** ... Aluminium Gantry Cranes
stationary model
with double beam
load capacity 1,000 kg and 1,500 kg page 16 to 21
- Item no. **15** ... Aluminium Gantry Cranes
stationary model
with double beam
load capacity 2,000 kg and 3,000 kg page 24 to 28
- Item no. **14** ... Aluminium Gantry Cranes
movable under load
load capacity 1,000 kg and 1,500 kg page 30 to 36
- Item no. **14** ... Aluminium Gantry Cranes
movable under load
with double beam
load capacity 1,000 kg and 1,500 kg page 38 to 44
- Item no. **14** ... Aluminium Gantry Cranes
movable under load
with double beam
load capacity 2,000 kg and 3,000 kg page 46 to 54

Various Lifting Equipment

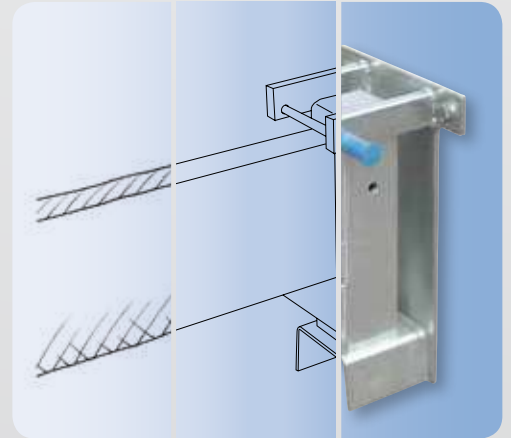


- Item no. **1621000** Aluminium Tripod Crane page 60
- Item no. **1621001** Aluminium Tripod Crane with hand winch ... page 61
- Item no. **1621002** Aluminium Tripod Crane with electric
cable winch page 62
- Item no. **51** ... Aluminium Fork Mounted Hook page 63
- Item no. **52** ... Aluminium Cross Beam page 64
- Item no. **53** ... Aluminium Cross Beam "H" type page 65
- Item no. **54** ... Aluminium Cross Beam for big-bag page 66
- Item no. **5600** ... Aluminium Slewing Crane page 67
- Item no. **23010** Bracket for Aluminium Slewing Crane page 67
- Item no. **6110250** Aluminium Multilift page 68
- Item no. **6120250** Aluminium Multilift with counterweight page 70



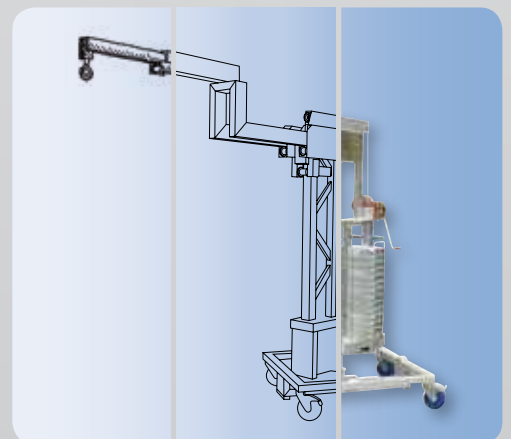
Accessories

Item no. 2300 ...	Wall Bracket	page 78
Item no. 2400 ...	Wheel Kit	page 79
Item no. 25 ...	Chain Hoist	page 81
Item no. 250 ...	Electric Chain Hoist	page 82
Item no. 250999	Cable System / Power Supply	page 83
Item no. 195 ...	Manual Trolley Direction Band	page 84
Item no. 295150	Hand Winch for all Aluminium Gantry Cranes	page 84
Item no. 16 ...	Lateral Extension Beam	page 85
Item no. 9870 ...	Packing and Transportation Box	page 86



Custom-Made Equipment

Different Custom-Made Equipment	page 90 to 105
Projects	page 106 and 107







Aluminium Gantry Cranes





Aluminium Gantry Cranes, stationary model, load capacity 1,000 kg and 1,500 kg

Delivery contents:

2 pieces lateral stand, collapsible

with 2 height adjustable beam supports made of aluminium special profiles

- distance between holes: 50 mm

with 4 adjustment feet made of aluminium special profiles

- distance between holes 40 mm

The lateral stands can be easily folded and can therefore space saving stored and transported.

1 piece aluminium special profile beam

1 piece park-break trolley

Into the trolley e.g. the hoist (chain hoist) or appropriate lifting bands will be hooked.

The trolley can be moved smoothly on the aluminium beam and can be fixed in any position.

2 pieces bump stop

Collision protection for the trolley

1 piece integrated horizontal adjuster

By the use of the horizontal adjuster the usable length of the Aluminium Gantry Crane can be adjusted smoothly between the two lateral stands.

The running track width of the aluminium beam is variable.

This is a definite added value as well as a higher flexibility for the user.

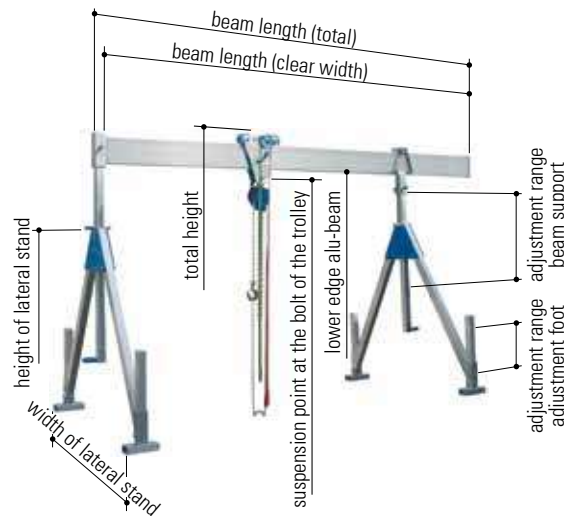
The Aluminium Gantry Crane System is a highly mobile, flexible, height and length adjustable, free standing construction.

The Aluminium Gantry Crane can be assembled and disassembled in a minimum of time with relatively few working steps.

There are no structural changes necessary (e.g. dowel fixture or the like).



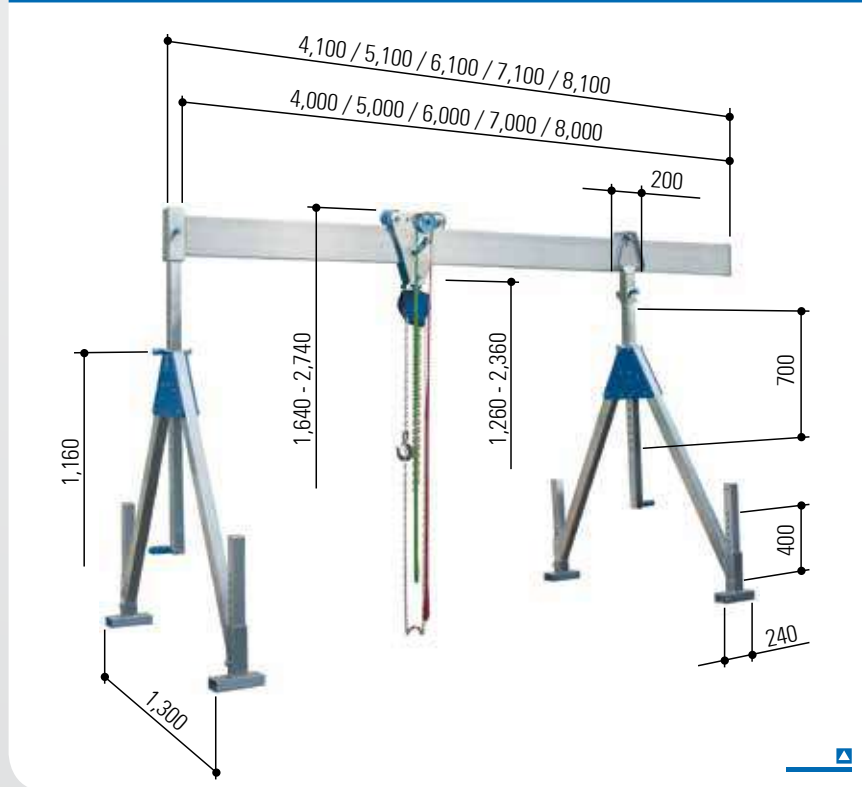
Aluminium Gantry Cranes, stationary model, load capacity 1,000 kg and 1,500 kg



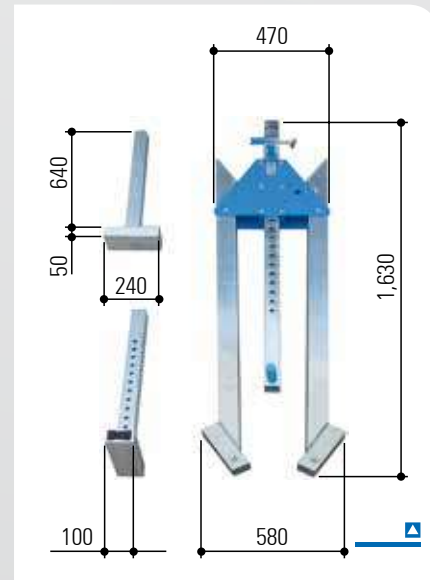
item no.	load capacity	beam length		suspension point at the bolt of the trolley		total height		lower edge alu beam		adjustment range		lateral stand		weight
		clear width	total	min.	max.	min.	max.	min.	max.	beam support	adjustment foot	width	height	
	kg	mm	mm	mm	mm	mm	mm	mm	mm	mm	mm	mm	mm	kg
small		Please find details for this Aluminum Gantry Crane on page 10.												
1311040	1,000	4,000	4,100	1,260	2,360	1,640	2,740	1,350	2,450	700	400	1,300	1,160	91
1311050	1,000	5,000	5,100	1,260	2,360	1,640	2,740	1,350	2,450	700	400	1,300	1,160	103
1311060	1,000	6,000	6,100	1,260	2,360	1,640	2,740	1,330	2,430	700	400	1,300	1,160	117
1311070	1,000	7,000	7,100	1,260	2,360	1,640	2,740	1,330	2,430	700	400	1,300	1,160	126
1311080	1,000	8,000	8,100	1,260	2,360	1,640	2,740	1,330	2,430	700	400	1,300	1,160	167
1311540	1,500	4,000	4,100	1,260	2,360	1,640	2,740	1,330	2,430	700	400	1,300	1,160	99
1311550	1,500	5,000	5,100	1,260	2,360	1,640	2,740	1,330	2,430	700	400	1,300	1,160	128
1311560	1,500	6,000	6,100	1,260	2,360	1,640	2,740	1,330	2,430	700	400	1,300	1,160	141
medium		Please find details for this Aluminum Gantry Crane on page 11.												
1321040	1,000	4,000	4,100	1,740	2,990	2,120	3,370	1,830	3,080	850	400	1,740	1,540	97
1321050	1,000	5,000	5,100	1,740	2,990	2,120	3,370	1,830	3,080	850	400	1,740	1,540	109
1321060	1,000	6,000	6,100	1,740	2,990	2,120	3,370	1,830	3,080	850	400	1,740	1,540	123
1321070	1,000	7,000	7,100	1,740	2,990	2,120	3,370	1,830	3,080	850	400	1,740	1,540	132
1321080	1,000	8,000	8,100	1,740	2,990	2,120	3,370	1,830	3,080	850	400	1,740	1,540	173
1321540	1,500	4,000	4,100	1,740	2,990	2,120	3,370	1,830	3,080	850	400	1,740	1,540	105
1321550	1,500	5,000	5,100	1,740	2,990	2,120	3,370	1,830	3,080	850	400	1,740	1,540	134
1321560	1,500	6,000	6,100	1,740	2,990	2,120	3,370	1,830	3,080	850	400	1,740	1,540	147
high		Please find details for this Aluminum Gantry Crane on page 12.												
1331040	1,000	4,000	4,100	2,320	4,020	2,700	4,400	2,410	4,110	1,300	400	2,240	1,970	149
1331050	1,000	5,000	5,100	2,320	4,020	2,700	4,400	2,410	4,110	1,300	400	2,240	1,970	161
1331060	1,000	6,000	6,100	2,320	4,020	2,700	4,400	2,390	4,090	1,300	400	2,240	1,970	175
1331070	1,000	7,000	7,100	2,320	4,020	2,700	4,400	2,390	4,090	1,300	400	2,240	1,970	184
1331080	1,000	8,000	8,100	2,320	4,020	2,700	4,400	2,390	4,090	1,300	400	2,240	1,970	225
1331540	1,500	4,000	4,100	2,320	4,020	2,700	4,400	2,390	4,090	1,300	400	2,240	1,970	157
1331550	1,500	5,000	5,100	2,320	4,020	2,700	4,400	2,390	4,090	1,300	400	2,240	1,970	186
1331560	1,500	6,000	6,100	2,320	4,020	2,700	4,400	2,390	4,090	1,300	400	2,240	1,970	199



Aluminium Gantry Cranes, stationary model, **small**



with collapsible lateral stands
incl. park-brake trolley
incl. integrated horizontal adjuster



Accessories

- ▣ Wall Bracketpage 78
- ▣ Wheel Kitpage 79
- ▣ Crane Transporterpage 80
- ▣ Chain Hoistpage 81
- ▣ Electric Chain Hoistpage 82
- ▣ Cable System / Power Supplypage 83
- ▣ Manual Trolley Direction Band ...page 84
- ▣ Hand Winchpage 84
- ▣ Lateral Extension Beampage 85
- ▣ Packing and Transportation
Boxpage 86

Alternatives

- ▣ separable resp. pluggable
Aluminium Beampage 13

folded lateral stand



Technical Data

item no.		1311040	1311050	1311060	1311070	1311080	1311540	1311550	1311560
load capacity	kg	1,000	1,000	1,000	1,000	1,000	1,500	1,500	1,500
beam length	mm	4,000	5,000	6,000	7,000	8,000	4,000	5,000	6,000
beam support	mm	61 x 61	61 x 61	61 x 61	61 x 61	61 x 61	61 x 61	61 x 61	61 x 61
beam profile	mm	200 x 50	200 x 50	220 x 60	220 x 60	220 x 60*	220 x 60	220 x 60*	220 x 60*
beam housing		one side: sleeve 82 x 82 mm, 270 mm long; other side: end piece							
total weight	kg	91	103	117	126	167	99	128	141
aluminium beam	kg	31	43	57	66	107	39	68	81
lateral stand	kg	2 x 24	2 x 24	2 x 24	2 x 24	2 x 24	2 x 24	2 x 24	2 x 24
trolley	kg	8	8	8	8	8	8	8	8
horizontal adjuster	kg	4	4	4	4	4	4	4	4

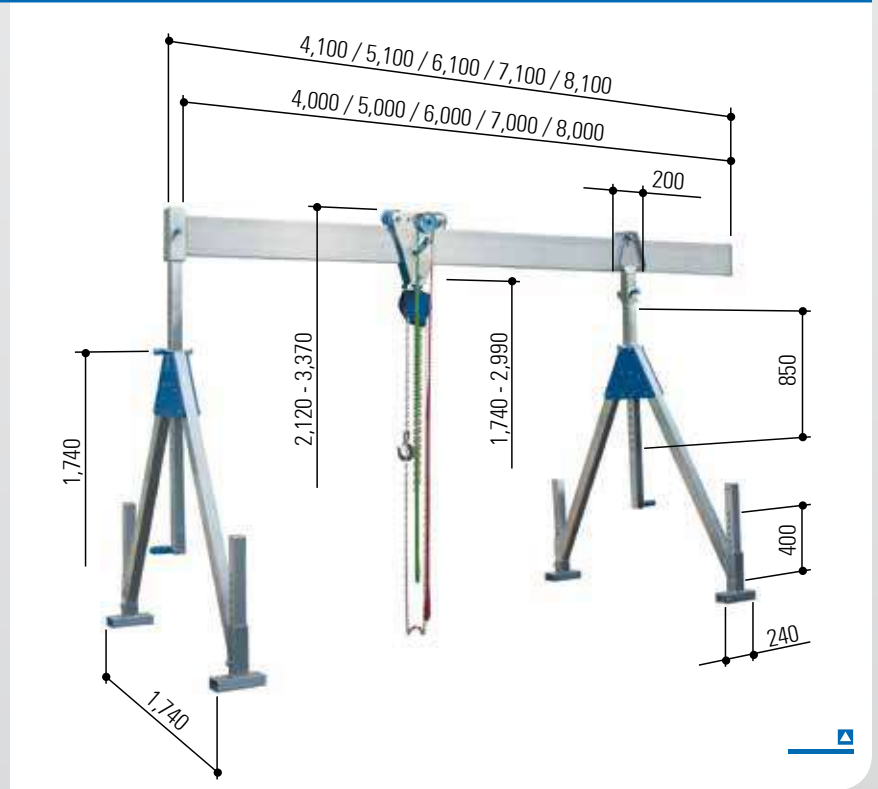
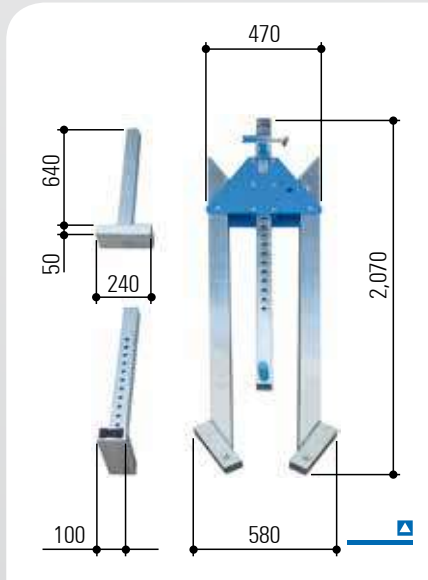
* with larger profile thickness (inwards)

Please find an overview of this Aluminium Gantry Crane on page 9.

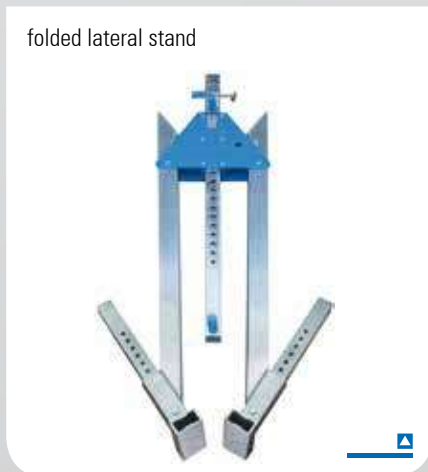


Aluminium Gantry Cranes, stationary model, **medium**

with collapsible lateral stands
incl. park-brake trolley
incl. integrated horizontal adjuster



folded lateral stand



Alternatives

- ▣ separable resp. pluggable Aluminium Beam page 13

Accessories

- ▣ Wall Bracket page 78
- ▣ Wheel Kit page 79
- ▣ Crane Transporter page 80
- ▣ Chain Hoist page 81
- ▣ Electric Chain Hoist page 82
- ▣ Cable System / Power Supply page 83
- ▣ Manual Trolley Direction Band ... page 84
- ▣ Hand Winch page 84
- ▣ Lateral Extension Beam page 85
- ▣ Packing and Transportation Box page 86

Technical Data

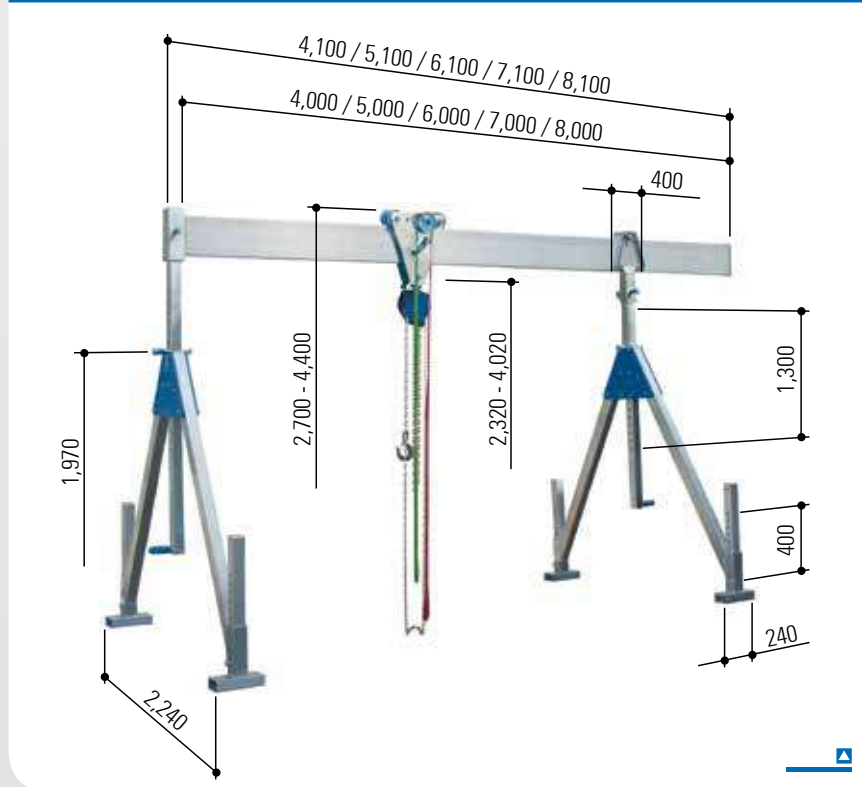
item no.		1321040	1321050	1321060	1321070	1321080	1321540	1321550	1321560
load capacity	kg	1,000	1,000	1,000	1,000	1,000	1,500	1,500	1,500
beam length	mm	4,000	5,000	6,000	7,000	8,000	4,000	5,000	6,000
beam support	mm	61 x 61	61 x 61	61 x 61	61 x 61	61 x 61	61 x 61	61 x 61	61 x 61
beam profile	mm	200 x 50	200 x 50	220 x 60	220 x 60	220 x 60*	220 x 60	220 x 60*	220 x 60*
beam housing		one side: sleeve 82 x 82 mm, 270 mm long; other side: end piece							
total weight	kg	97	109	123	132	173	105	134	147
aluminium beam	kg	31	43	57	66	107	39	68	81
lateral stand	kg	2 x 27	2 x 27	2 x 27	2 x 27	2 x 27	2 x 27	2 x 27	2 x 27
trolley	kg	8	8	8	8	8	8	8	8
horizontal adjuster	kg	4	4	4	4	4	4	4	4

* with larger profile thickness (inwards)

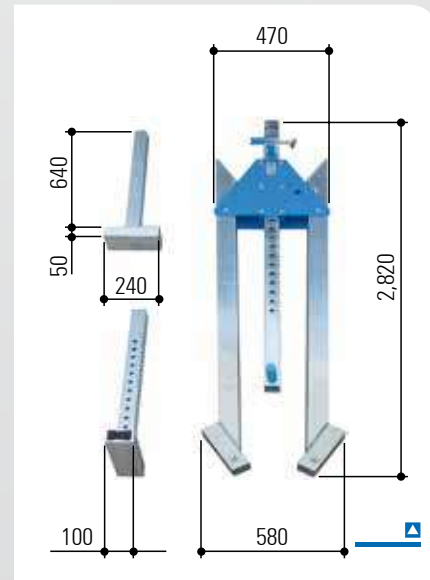
Please find an overview of this Aluminium Gantry Crane on page 9.



Aluminium Gantry Cranes, stationary model, high



with collapsible lateral stands
incl. park-brake trolley
incl. integrated horizontal adjuster



Accessories

- ▣ Wall Bracketpage 78
- ▣ Wheel Kitpage 79
- ▣ Crane Transporterpage 80
- ▣ Chain Hoistpage 81
- ▣ Electric Chain Hoistpage 82
- ▣ Cable System / Power Supplypage 83
- ▣ Manual Trolley Direction Band ...page 84
- ▣ Hand Winchpage 84
- ▣ Lateral Extension Beampage 85
- ▣ Packing and Transportation
Boxpage 86

Alternatives

- ▣ separable resp. pluggable
Aluminium Beampage 13

folded lateral stand



Technical Data

item no.		1331040	1331050	1331060	1331070	1331080	1331540	1331550	1331560
load capacity	kg	1,000	1,000	1,000	1,000	1,000	1,500	1,500	1,500
beam length	mm	4,000	5,000	6,000	7,000	8,000	4,000	5,000	6,000
beam support	mm	71 x 71	71 x 71	71 x 71	71 x 71	71 x 71	71 x 71	71 x 71	71 x 71
beam profile	mm	200 x 50	200 x 50	220 x 60	220 x 60	220 x 60*	220 x 60	220 x 60*	220 x 60*
beam housing		one side: sleeve 82 x 82 mm, 270 mm long; other side: end piece							
total weight	kg	149	161	175	184	225	157	186	199
aluminium beam	kg	31	43	57	66	107	39	68	81
lateral stand	kg	2 x 50	2 x 50	2 x 50	2 x 50	2 x 50	2 x 50	2 x 50	2 x 50
trolley	kg	8	8	8	8	8	8	8	8
horizontal adjuster	kg	10	10	10	10	10	10	10	10

* with larger profile thickness (inwards)

Please find an overview of this Aluminium Gantry Crane on page 9.



separable resp. pluggable Aluminium Beam



The separable resp. pluggable Aluminium Beam!

This latest addition is a consequence of further development of our extensive assortment of Cranes and Accessories. Through our own aspirations in optimisation we now bring you – the separable resp. pluggable Aluminium Beam.

An innovation for our customers

Through your wishes for speed, innovation and optimisation and further more high-end quality products we want to inspire you.

As we are able to offer our aluminium lateral stands with the alternative of being collapsible, we have now taken the longest and most cumbersome part in our delivery programme and enabled it to be separable resp. pluggable Aluminium Beam.

Both separated beam pieces can also be used as single Aluminium Beams as well.

Save even more space

- Purchase a complete Aluminium Gantry Crane including the separable resp. pluggable Aluminium Beam.
- Upgrade your already existing Aluminium Gantry Crane.

This separable resp. pluggable Aluminium Beam is suitable for Aluminium Gantry Cranes detailed on pages 8 to 12.

The Item number consists of:

New Aluminium Gantry Crane: Item number of the standard crane (compare pages 8 to 12) **-10**

Examples:

Aluminium Gantry Crane, stationary model, medium, load capacity 1,000 kg

- with 'Standard' Aluminium Beam, beam length 4,000 mm: item no. 1321040
- with 'separable resp. pluggable' Aluminium Beam, beam length 4,000 mm: item no. 1321040-10







Aluminium Gantry Cranes, stationary model, with double beam, load capacity 1,000 kg and 1,500 kg

Delivery contents:

2 pieces lateral stand, collapsible

with 2 height adjustable beam supports made of aluminium special profiles

- distance between holes: 50 mm

with 4 adjustment feet made of aluminium special profiles

- distance between holes 40 mm

The lateral stands can be easily folded and can therefore space saving stored and transported.

1 set aluminium special profile beams

(1 set = 2 single beams)

1 piece top-mounted park-break trolley

Into the trolley e.g. the hoist (chain hoist) or appropriate lifting bands will be hooked.

The trolley can be moved smoothly on the two aluminium beams and can be fixed in any position.

Due to the top-mounted trolley the maximum lift in relation to the total height can be used.

4 pieces bump stop

Collision protection for the trolley

1 piece integrated horizontal adjuster

By the use of the horizontal adjuster the usable length of the Aluminium Gantry Crane can be adjusted smoothly between the two lateral stands.

The running track width of the aluminium double beam is variable.

This is a definite added value as well as a higher flexibility for the user.

1 piece beam mountings

Both aluminium beams will be insert and fixed here.

Furthermore this component guarantee for the parallelism of the aluminium double beam.

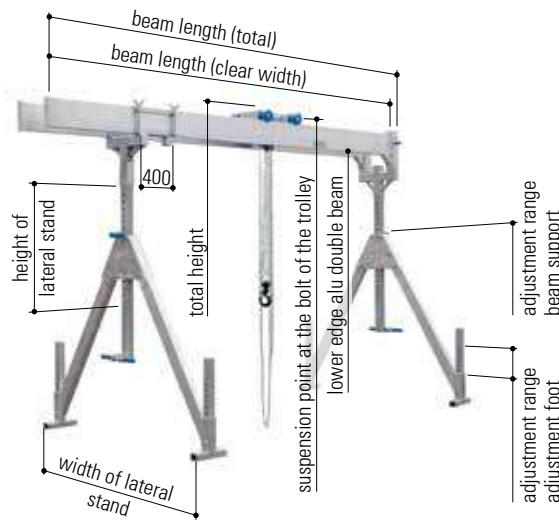
The Aluminium Gantry Crane System is a highly mobile, flexible, height and length adjustable, free standing construction.

The Aluminium Gantry Crane can be assembled and disassembled in a minimum of time with relatively few working steps.

There are no structural changes necessary (e.g. dowel fixture or the like).



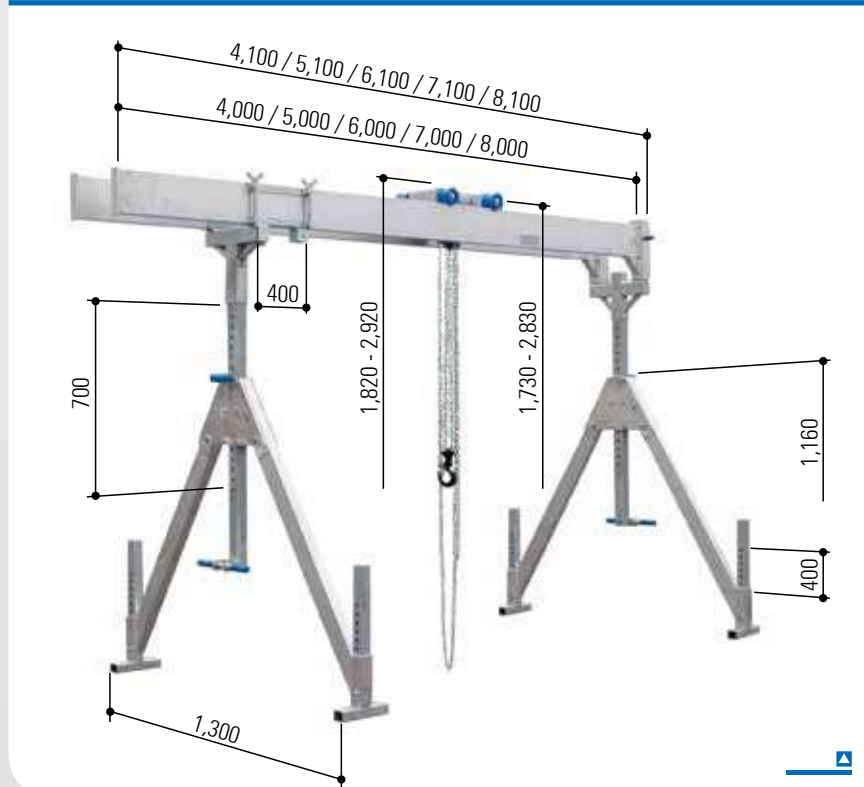
Aluminium Gantry Cranes, stationary model, with double beam, load capacity 1,000 kg and 1,500 kg



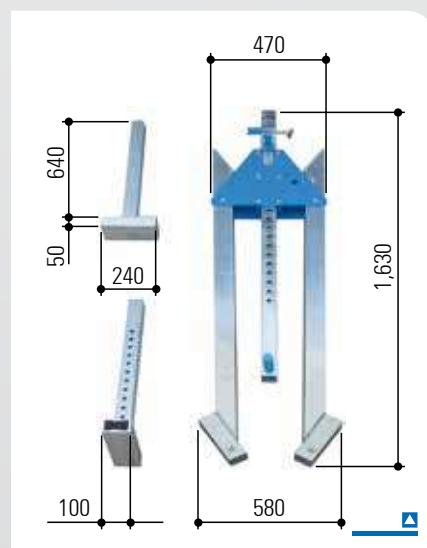
item no.	load capacity	beam length		suspension point at the bolt of the trolley		total height		lower edge alu double beam		adjustment range		lateral stand		weight
		clear width	total	min.	max.	min.	max.	min.	max.	beam support	adjustment foot	width	height	
	kg	mm	mm	mm	mm	mm	mm	mm	mm	mm	mm	mm	mm	kg
small		Please find details for this Aluminum Gantry Crane on page 18.												
1511040	1,000	4,000	4,100	1,730	2,830	1,820	2,920	1,490	2,590	700	400	1,300	1,160	156
1511050	1,000	5,000	5,100	1,730	2,830	1,820	2,920	1,490	2,590	700	400	1,300	1,160	180
1511060	1,000	6,000	6,100	1,730	2,830	1,820	2,920	1,470	2,570	700	400	1,300	1,160	208
1511070	1,000	7,000	7,100	1,730	2,830	1,820	2,920	1,470	2,570	700	400	1,300	1,160	226
1511080	1,000	8,000	8,100	1,730	2,830	1,820	2,920	1,470	2,570	700	400	1,300	1,160	244
1511540	1,500	4,000	4,100	1,730	2,830	1,820	2,920	1,490	2,590	700	400	1,300	1,160	156
1511550	1,500	5,000	5,100	1,730	2,830	1,820	2,920	1,490	2,590	700	400	1,300	1,160	180
1511560	1,500	6,000	6,100	1,730	2,830	1,820	2,920	1,470	2,570	700	400	1,300	1,160	208
1511570	1,500	7,000	7,100	1,730	2,830	1,820	2,920	1,470	2,570	700	400	1,300	1,160	226
1511580	1,500	8,000	8,100	1,730	2,830	1,820	2,920	1,470	2,570	700	400	1,300	1,160	244
medium		Please find details for this Aluminum Gantry Crane on page 19.												
1521040	1,000	4,000	4,100	2,150	3,570	2,240	3,660	1,910	3,330	1,020	400	1,740	1,540	162
1521050	1,000	5,000	5,100	2,150	3,570	2,240	3,660	1,910	3,330	1,020	400	1,740	1,540	186
1521060	1,000	6,000	6,100	2,150	3,570	2,240	3,660	1,890	3,310	1,020	400	1,740	1,540	214
1521070	1,000	7,000	7,100	2,150	3,570	2,240	3,660	1,890	3,310	1,020	400	1,740	1,540	232
1521080	1,000	8,000	8,100	2,150	3,570	2,240	3,660	1,890	3,310	1,020	400	1,740	1,540	250
1521540	1,500	4,000	4,100	2,150	3,570	2,240	3,660	1,910	3,330	1,020	400	1,740	1,540	162
1521550	1,500	5,000	5,100	2,150	3,570	2,240	3,660	1,910	3,330	1,020	400	1,740	1,540	186
1521560	1,500	6,000	6,100	2,150	3,570	2,240	3,660	1,890	3,310	1,020	400	1,740	1,540	214
1521570	1,500	7,000	7,100	2,150	3,570	2,240	3,660	1,890	3,310	1,020	400	1,740	1,540	232
1521580	1,500	8,000	8,100	2,150	3,570	2,240	3,660	1,890	3,310	1,020	400	1,740	1,540	250
high		Please find details for this Aluminum Gantry Crane on page 20.												
1531040	1,000	4,000	4,100	2,650	4,350	2,740	4,440	2,410	4,110	1,300	400	2,240	1,970	208
1531050	1,000	5,000	5,100	2,650	4,350	2,740	4,440	2,410	4,110	1,300	400	2,240	1,970	232
1531060	1,000	6,000	6,100	2,650	4,350	2,740	4,440	2,390	4,090	1,300	400	2,240	1,970	260
1531070	1,000	7,000	7,100	2,650	4,350	2,740	4,440	2,390	4,090	1,300	400	2,240	1,970	278
1531080	1,000	8,000	8,100	2,650	4,350	2,740	4,440	2,390	4,090	1,300	400	2,240	1,970	296
1531540	1,500	4,000	4,100	2,650	4,350	2,740	4,440	2,410	4,110	1,300	400	2,240	1,970	208
1531550	1,500	5,000	5,100	2,650	4,350	2,740	4,440	2,410	4,110	1,300	400	2,240	1,970	232
1531560	1,500	6,000	6,100	2,650	4,350	2,740	4,440	2,390	4,090	1,300	400	2,240	1,970	260
1531570	1,500	7,000	7,100	2,650	4,350	2,740	4,440	2,390	4,090	1,300	400	2,240	1,970	278
1531580	1,500	8,000	8,100	2,650	4,350	2,740	4,440	2,390	4,090	1,300	400	2,240	1,970	296



Aluminium Gantry Cranes, stationary model, with double beam, **small**



with collapsible lateral stands
incl. top-mounted park-brake trolley
incl. integrated horizontal adjuster
incl. beam mountings



Accessories

- ▣ Wall Bracketpage 78
- ▣ Wheel Kitpage 79
- ▣ Crane Transporterpage 80
- ▣ Chain Hoistpage 81
- ▣ Electric Chain Hoistpage 82
- ▣ Cable System / Power Supplypage 83
- ▣ Manual Trolley Direction Band ...page 84
- ▣ Hand Winchpage 84
- ▣ Lateral Extension Beampage 85
- ▣ Packing and Transportation
Boxpage 86

Alternatives

- ▣ separable resp. pluggable
Aluminium Double Beam page 21

folded lateral stand



Technical Data

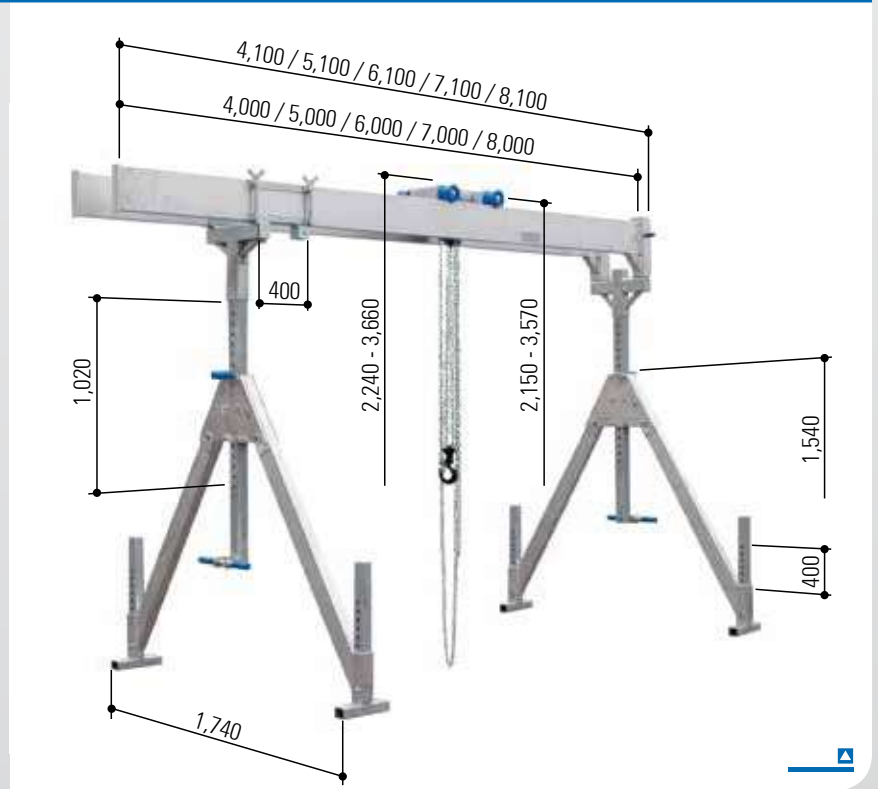
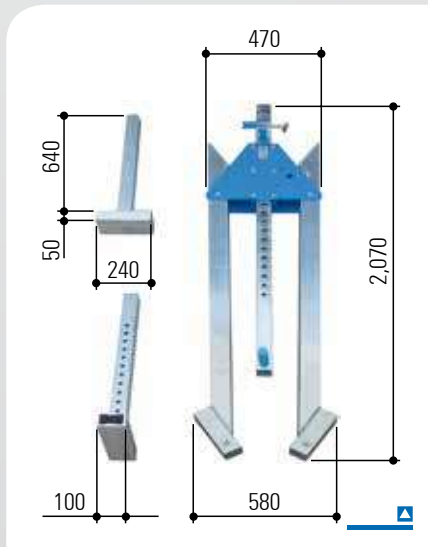
item no.		1511040	1511050	1511060	1511070	1511080	1511540	1511550	1511560	1511570	1511580
load capacity	kg	1,000	1,000	1,000	1,000	1,000	1,500	1,500	1,500	1,500	1,500
beam length	mm	4,000	5,000	6,000	7,000	8,000	4,000	5,000	6,000	7,000	8,000
beam support	mm	61 x 61	61 x 61	61 x 61	61 x 61	61 x 61	61 x 61	61 x 61	61 x 61	61 x 61	61 x 61
beam profile	mm	200 x 50	200 x 50	220 x 60	220 x 60	220 x 60	200 x 50	200 x 50	220 x 60	220 x 60	220 x 60
beam housing		one side: sleeve 92 x 92 mm, 380 mm long; other side: end piece									
clear width alu beam	mm	260	260	250	250	250	260	260	250	250	250
total weight	kg	156	180	208	226	244	156	180	208	226	244
aluminium beam	kg	2 x 31	2 x 43	2 x 57	2 x 66	2 x 75	2 x 31	2 x 43	2 x 57	2 x 66	2 x 75
lateral stand	kg	2 x 24	2 x 24	2 x 24	2 x 24	2 x 24	2 x 24	2 x 24	2 x 24	2 x 24	2 x 24
trolley	kg	17	17	17	17	17	17	17	17	17	17
horizontal adjuster	kg	21	21	21	21	21	21	21	21	21	21
beam mounting	kg	8	8	8	8	8	8	8	8	8	8

Please find an overview of this Aluminium Gantry Crane on page 17.



Aluminium Gantry Cranes, stationary model, with double beam, **medium**

with collapsible lateral stands
incl. top-mounted park-brake trolley
incl. integrated horizontal adjuster
incl. beam mountings



Alternatives

- separable resp. pluggable Aluminium Double Beam page 21

Accessories

- Wall Bracket page 78
- Wheel Kit page 79
- Crane Transporter page 80
- Chain Hoist page 81
- Electric Chain Hoist page 82
- Cable System / Power Supply page 83
- Manual Trolley Direction Band ... page 84
- Hand Winch page 84
- Lateral Extension Beam page 85
- Packing and Transportation Box page 86

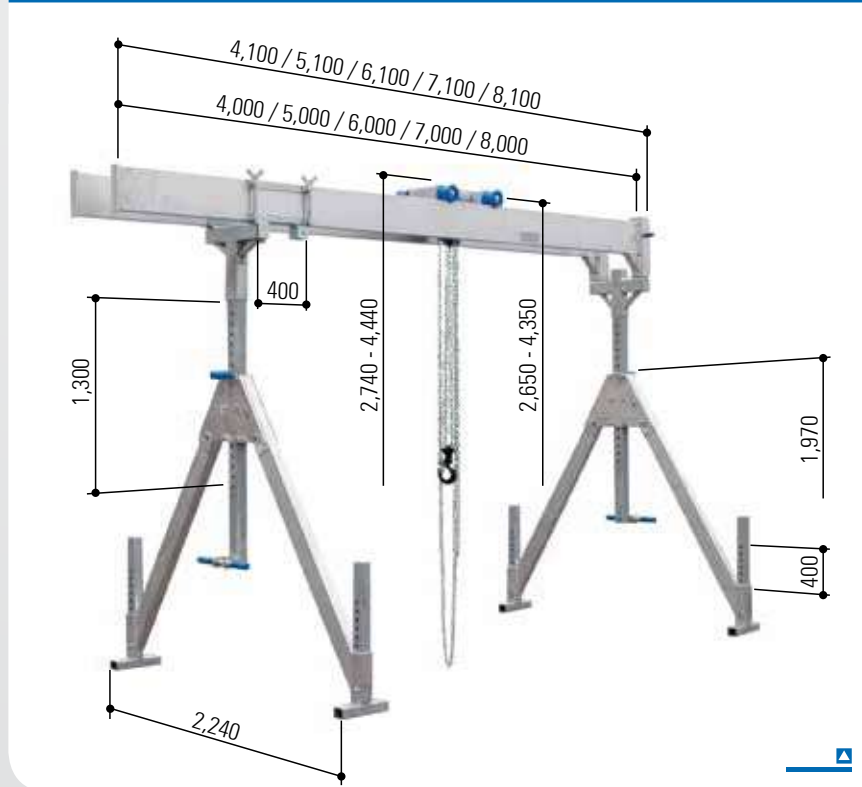
Technical Data

item no.		1521040	1521050	1521060	1521070	1521080	1521540	1521550	1521560	1521570	1521580
load capacity	kg	1,000	1,000	1,000	1,000	1,000	1,500	1,500	1,500	1,500	1,500
beam length	mm	4,000	5,000	6,000	7,000	8,000	4,000	5,000	6,000	7,000	8,000
beam support	mm	61 x 61	61 x 61	61 x 61	61 x 61	61 x 61	61 x 61	61 x 61	61 x 61	61 x 61	61 x 61
beam profile	mm	200 x 50	200 x 50	220 x 60	220 x 60	220 x 60	200 x 50	200 x 50	220 x 60	220 x 60	220 x 60
beam housing		one side: sleeve 92 x 92 mm, 380 mm long; other side: end piece									
clear width alu beam	mm	260	260	250	250	250	260	260	250	250	250
total weight	kg	162	186	214	232	250	162	186	214	232	250
aluminium beam	kg	2 x 31	2 x 43	2 x 57	2 x 66	2 x 75	2 x 31	2 x 43	2 x 57	2 x 66	2 x 75
lateral stand	kg	2 x 27	2 x 27	2 x 27	2 x 27	2 x 27	2 x 27	2 x 27	2 x 27	2 x 27	2 x 27
trolley	kg	17	17	17	17	17	17	17	17	17	17
horizontal adjuster	kg	21	21	21	21	21	21	21	21	21	21
beam mounting	kg	8	8	8	8	8	8	8	8	8	8

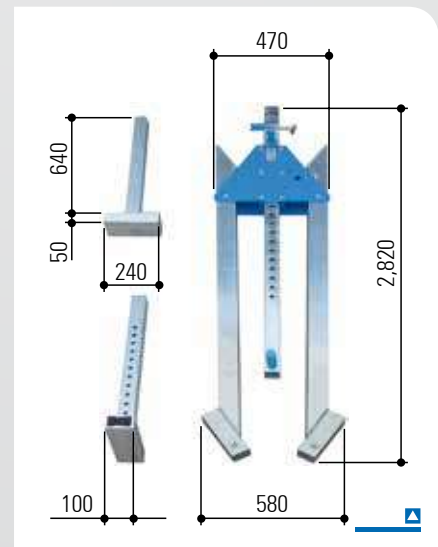
Please find an overview of this Aluminium Gantry Crane on page 17.



Aluminium Gantry Cranes, stationary model, with double beam, **high**



with collapsible lateral stands
incl. top-mounted park-brake trolley
incl. integrated horizontal adjuster
incl. beam mountings



Accessories

- ▣ Wall Bracketpage 78
- ▣ Wheel Kitpage 79
- ▣ Crane Transporterpage 80
- ▣ Chain Hoistpage 81
- ▣ Electric Chain Hoistpage 82
- ▣ Cable System / Power Supplypage 83
- ▣ Manual Trolley Direction Band ...page 84
- ▣ Hand Winchpage 84
- ▣ Lateral Extension Beampage 85
- ▣ Packing and Transportation
Boxpage 86

Alternatives

- ▣ separable resp. pluggable
Aluminium Double Beam page 21

folded lateral stand



Technical Data

item no.		1531040	1531050	1531060	1531070	1531080	1531540	1531550	1531560	1531570	1531580
load capacity	kg	1,000	1,000	1,000	1,000	1,000	1,500	1,500	1,500	1,500	1,500
beam length	mm	4,000	5,000	6,000	7,000	8,000	4,000	5,000	6,000	7,000	8,000
beam support	mm	71 x 71	71 x 71	71 x 71	71 x 71	71 x 71	71 x 71	71 x 71	71 x 71	71 x 71	71 x 71
beam profile	mm	200 x 50	200 x 50	220 x 60	220 x 60	220 x 60	200 x 50	200 x 50	220 x 60	220 x 60	220 x 60
beam housing		one side: sleeve 92 x 92 mm, 380 mm long; other side: end piece									
clear width alu beam	mm	260	260	250	250	250	260	260	250	250	250
total weight	kg	208	232	260	278	296	208	232	260	278	296
aluminium beam	kg	2 x 31	2 x 43	2 x 57	2 x 66	2 x 75	2 x 31	2 x 43	2 x 57	2 x 66	2 x 75
lateral stand	kg	2 x 50	2 x 50	2 x 50	2 x 50	2 x 50	2 x 50	2 x 50	2 x 50	2 x 50	2 x 50
trolley	kg	17	17	17	17	17	17	17	17	17	17
horizontal adjuster	kg	21	21	21	21	21	21	21	21	21	21
beam mounting	kg	8	8	8	8	8	8	8	8	8	8

Please find an overview of this Aluminium Gantry Crane on page 17.



separable resp. pluggable Aluminium Double Beam



Picture: Aluminium Gantry Crane, stationary model, with single beam



The separable resp. pluggable Aluminium Double Beam!

This latest addition is a consequence of further development of our extensive assortment of Cranes and Accessories. Through our own aspirations in optimisation we now bring you – the separable resp. pluggable Aluminium Double Beam.

An innovation for our customers

Through your wishes for speed, innovation and optimisation and further more high-end quality products we want to inspire you. As we are able to offer our aluminium lateral stands with the alternative of being collapsible, we have now taken the longest and most cumbersome part in our delivery programme and enabled it to be separable resp. pluggable Aluminium Double Beam. Both separated beam pieces can also be used as single Aluminium Double Beams as well.

Save even more space

- ▣ Purchase a complete Aluminium Gantry Crane including the separable resp. pluggable Aluminium Double Beam.
- ▣ Upgrade your already existing Aluminium Gantry Crane.

The Item number consists of:

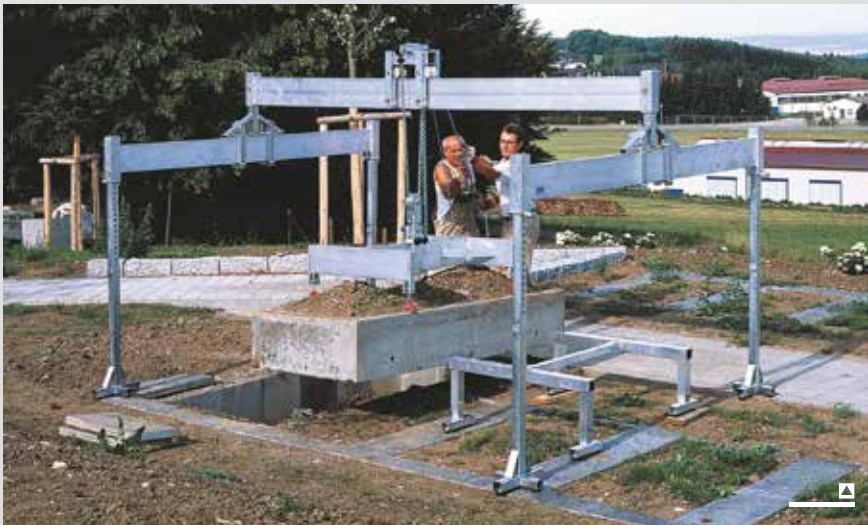
New Aluminium Gantry Crane: Item number of the standard crane (compare pages 16 to 20) **-10**

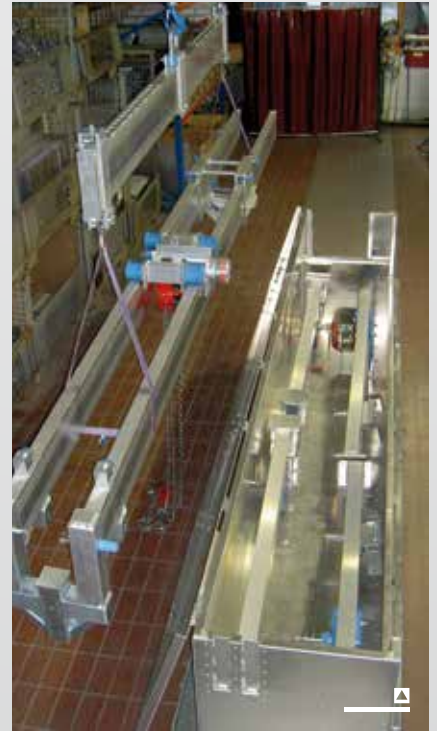
Examples:

Aluminium Gantry Crane, stationary model, double beam medium, load capacity 1,000 kg

- ▣ with 'Standard' Aluminium Double Beam, beam length 4,000 mm: item no. 1521040
- ▣ with 'separable resp. pluggable' Aluminium Double Beam, beam length 4,000 mm: item no. 1521040-10

This separable resp. pluggable Aluminium Double Beam is suitable for Aluminium Gantry Cranes detailed on pages 16 to 20.







Aluminium Gantry Cranes, stationary model, with double beam, load capacity 2,000 kg and 3,000 kg

Delivery contents:

2 pieces lateral stand, collapsible

with 2 height adjustable beam supports made of aluminium special profiles

- distance between holes: 50 mm

with 4 adjustment feet made of aluminium special profiles

- distance between holes 40 mm

The lateral stands can be easily folded and can therefore space saving stored and transported.

1 set aluminium special profile beams

(1 set = 2 single beams)

1 piece top-mounted park-break trolley

Into the trolley e.g. the hoist (chain hoist) or appropriate lifting bands will be hooked.

The trolley can be moved smoothly on the two aluminium beams and can be fixed in any position.

Due to the top-mounted trolley the maximum lift in relation to the total height can be used.

4 pieces bump stop

Collision protection for the trolley

1 piece integrated horizontal adjuster

By the use of the horizontal adjuster the usable length of the Aluminium Gantry Crane can be adjusted smoothly between the two lateral stands.

The running track width of the aluminium double beam is variable.

This is a definite added value as well as a higher flexibility for the user.

1 piece beam mountings

Both aluminium beams will be insert and fixed here.

Furthermore this component guarantee for the parallelism of the aluminium double beam.

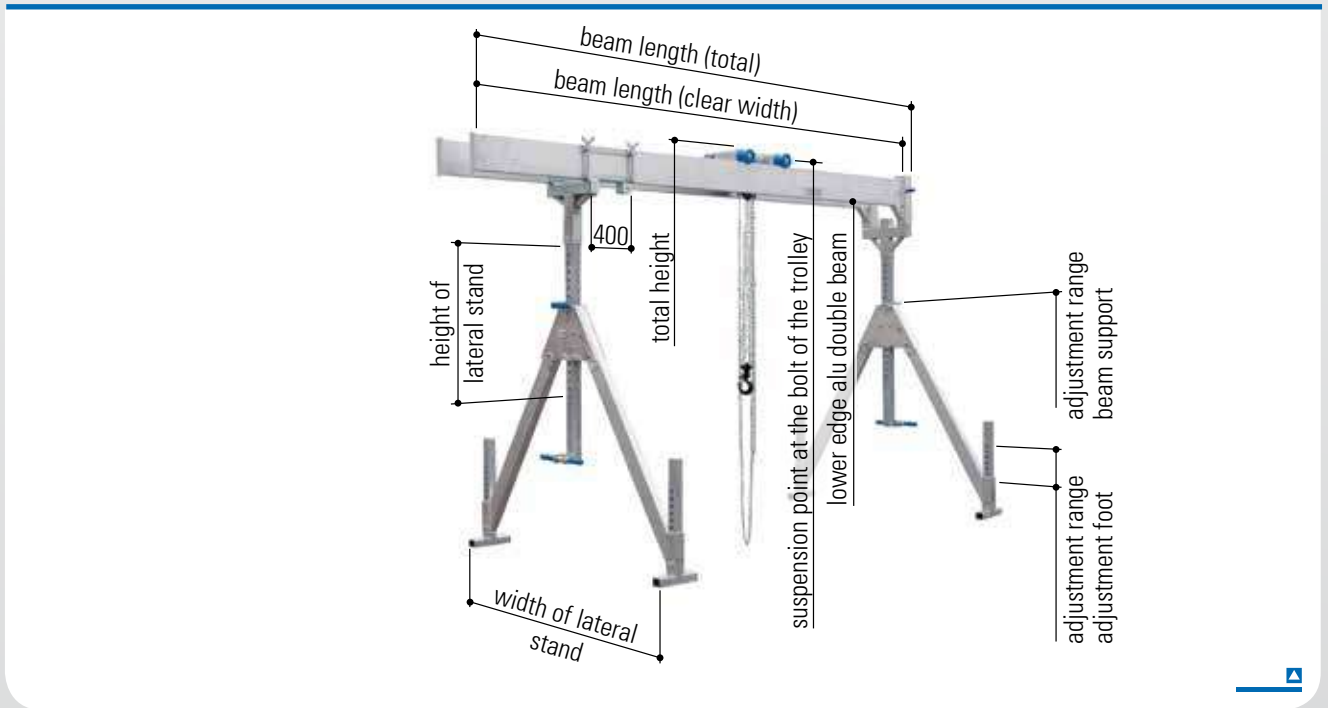
The Aluminium Gantry Crane System is a highly mobile, flexible, height and length adjustable, free standing construction.

The Aluminium Gantry Crane can be assembled and disassembled in a minimum of time with relatively few working steps.

There are no structural changes necessary (e.g. dowel fixture or the like).



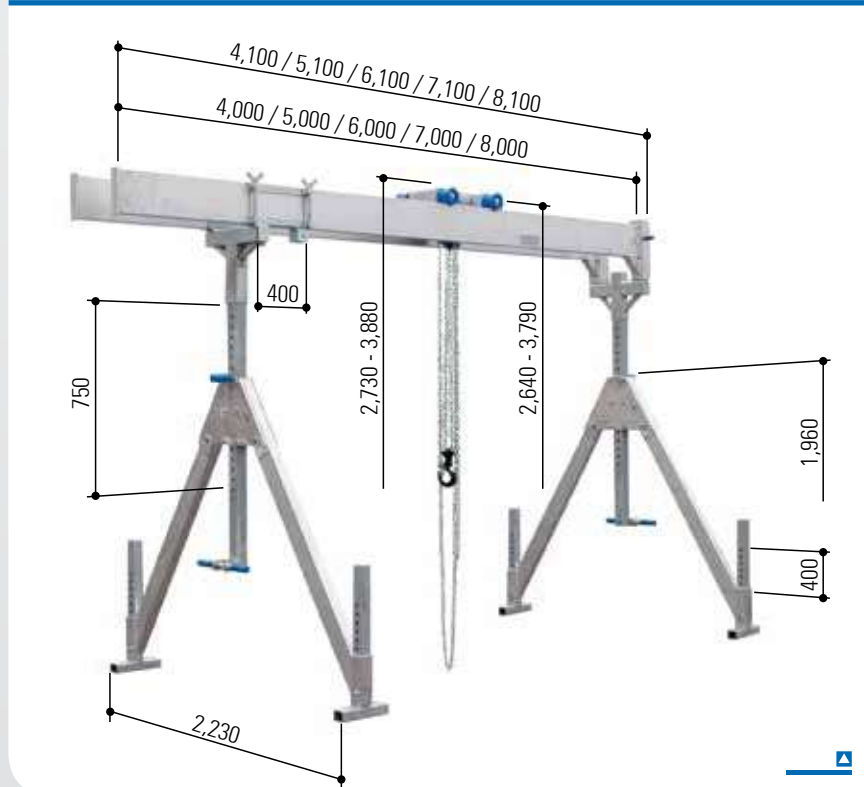
Aluminium Gantry Cranes, stationary model, with double beam, load capacity 2,000 kg and 3,000 kg



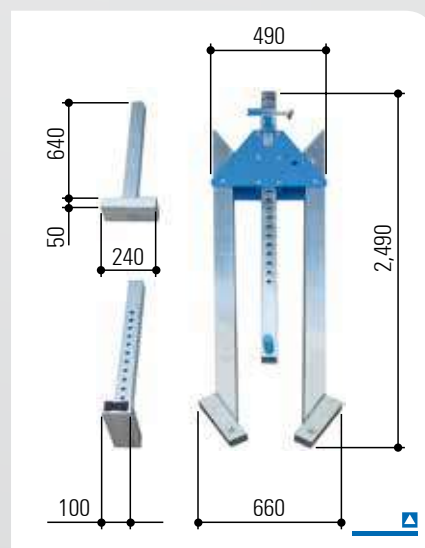
item no.	load capacity	beam length		suspension point at the bolt of the trolley		total height		lower edge alu double beam		adjustment range		lateral stand		weight
		clear width	total	min.	max.	min.	max.	min.	max.	beam support	adjustment foot	width	height	
	kg	mm	mm	mm	mm	mm	mm	mm	mm	mm	mm	mm	mm	kg
2,000 kg		Please find details for this Aluminum Gantry Crane on page 26.												
1532040	2,000	4,000	4,100	2,640	3,790	2,730	3,880	2,380	3,530	750	400	2,230	1,960	248
1532050	2,000	5,000	5,100	2,640	3,790	2,730	3,880	2,380	3,530	750	400	2,230	1,960	266
1532060	2,000	6,000	6,100	2,640	3,790	2,730	3,880	2,380	3,530	750	400	2,230	1,960	284
1532070	2,000	7,000	7,100	2,640	3,790	2,730	3,880	2,380	3,530	750	400	2,230	1,960	302
1532080	2,000	8,000	8,100	2,640	3,790	2,730	3,880	2,380	3,530	750	400	2,230	1,960	384
3,000 kg		Please find details for this Aluminum Gantry Crane on page 27.												
1533040	3,000	4,000	4,100	2,640	3,790	2,730	3,880	2,380	3,530	750	400	2,230	1,960	248
1533050	3,000	5,000	5,100	2,640	3,790	2,730	3,880	2,380	3,530	750	400	2,230	1,960	306
1533060	3,000	6,000	6,100	2,640	3,790	2,730	3,880	2,380	3,530	750	400	2,230	1,960	332



Aluminium Gantry Cranes, stationary model, with double beam, load capacity 2.000 kg



with collapsible lateral stands
incl. top-mounted park-brake trolley
incl. integrated horizontal adjuster
incl. beam mountings



Accessories

- ▣ Wall Bracketpage 78
- ▣ Wheel Kitpage 79
- ▣ Crane Transporterpage 80
- ▣ Chain Hoistpage 81
- ▣ Electric Chain Hoistpage 82
- ▣ Cable System / Power Supplypage 83
- ▣ Manual Trolley Direction Band ...page 84
- ▣ Hand Winchpage 84
- ▣ Lateral Extension Beampage 85
- ▣ Packing and Transportation
Boxpage 86

Alternatives

- ▣ separable resp. pluggable
Aluminium Double Beam page 28

folded lateral stand



Technical Data

item no.		1532040	1532050	1532060	1532070	1532080
load capacity	kg	2,000	2,000	2,000	2,000	2,000
beam length	mm	4,000	5,000	6,000	7,000	8,000
beam support	mm	81 x 81	81 x 81	81 x 81	81 x 81	81 x 81
beam profile	mm	220 x 60	220 x 60	220 x 60	220 x 60	220 x 60*
beam housing		one side: sleeve 92 x 92 mm, 380 mm long; other side: end piece				
clear width alu beam	mm	250	250	250	250	250
total weight	kg	248	266	284	302	384
aluminium beam	kg	2 x 39	2 x 48	2 x 57	2 x 66	2 x 107
lateral stand	kg	2 x 60	2 x 60	2 x 60	2 x 60	2 x 60
trolley	kg	17	17	17	17	17
horizontal adjuster	kg	23	23	23	23	23
beam mounting	kg	10	10	10	10	10

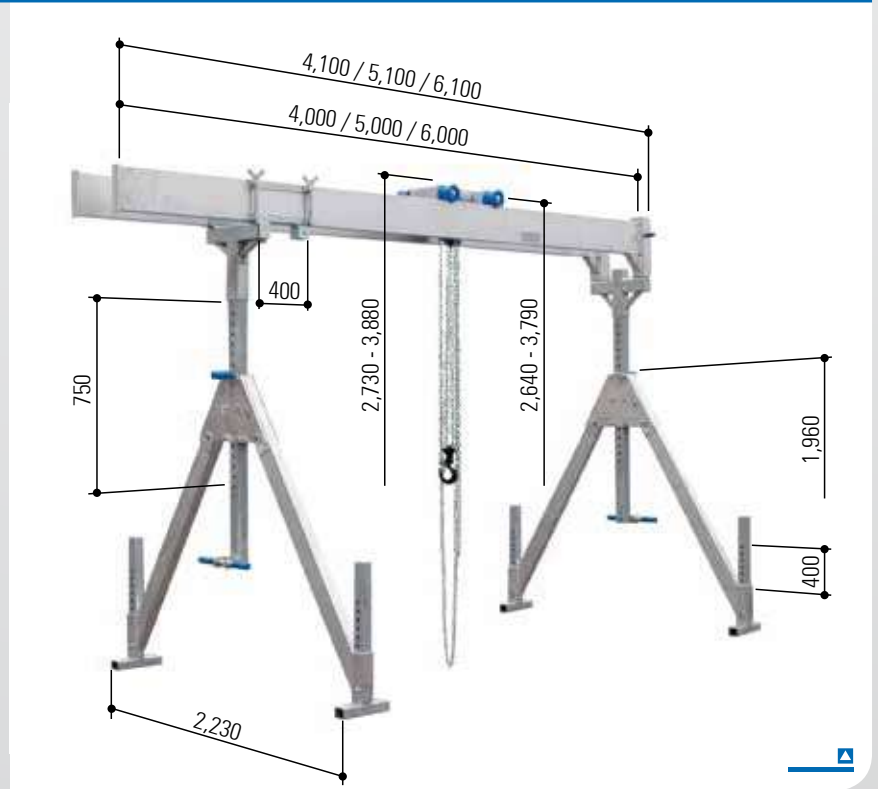
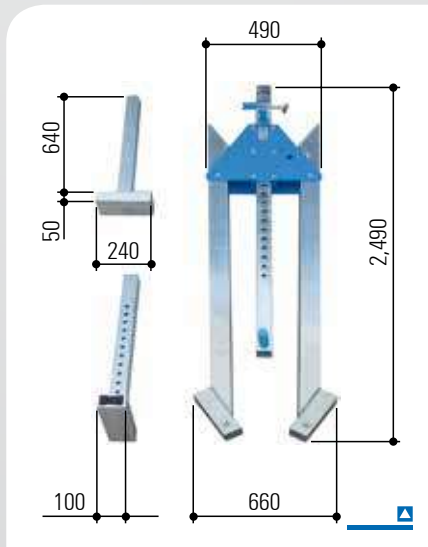
* with larger profile thickness (inwards)

Please find an overview of this Aluminium Gantry Crane on page 25.



Aluminium Gantry Cranes, stationary model, with double beam, **load capacity 3.000 kg**

with collapsible lateral stands
incl. top-mounted park-brake trolley
incl. integrated horizontal adjuster
incl. beam mountings



folded lateral stand



Alternatives

- separable resp. pluggable Aluminium Double Beam page 28

Accessories

- Wall Bracket page 78
- Wheel Kit page 79
- Crane Transporter page 80
- Chain Hoist page 81
- Electric Chain Hoist page 82
- Cable System / Power Supply page 83
- Manual Trolley Direction Band ... page 84
- Hand Winch page 84
- Lateral Extension Beam page 85
- Packing and Transportation Box page 86

Technical Data

item no.		1533040	1533050	1533060
load capacity	kg	3,000	3,000	3,000
beam length	mm	4,000	5,000	6,000
beam support	mm	81 x 81	81 x 81	81 x 81
beam profile	mm	220 x 60	220 x 60*	220 x 60*
beam housing		one side: sleeve 92 x 92 mm, 380 mm long; other side: end piece		
clear width alu beam	mm	250	250	250
total weight	kg	248	306	332
aluminium beam	kg	2 x 39	2 x 68	2 x 81
lateral stand	kg	2 x 60	2 x 60	2 x 60
trolley	kg	17	17	17
horizontal adjuster	kg	23	23	23
beam mounting	kg	10	10	10

* with larger profile thickness (inwards)

Please find an overview of this Aluminium Gantry Crane on page 25.



separable resp. pluggable Aluminium Double Beam



Picture: Aluminium Gantry Crane, stationary model, with single beam



The separable resp. pluggable Aluminium Double Beam!

This latest addition is a consequence of further development of our extensive assortment of Cranes and Accessories. Through our own aspirations in optimisation we now bring you – the separable resp. pluggable Aluminium Double Beam.

An innovation for our customers

Through your wishes for speed, innovation and optimisation and further more high-end quality products we want to inspire you.

As we are able to offer our aluminium lateral stands with the alternative of being collapsible, we have now taken the longest and most cumbersome part in our delivery programme and enabled it to be separable resp. pluggable Aluminium Double Beam. Both separated beam pieces can also be used as single Aluminium Double Beams as well.

Save even more space

- ▣ Purchase a complete Aluminium Gantry Crane including the separable resp. pluggable Aluminium Double Beam.
- ▣ Upgrade your already existing Aluminium Gantry Crane.

This separable resp. pluggable Aluminium Double Beam is suitable for Aluminium Gantry Cranes detailed on pages 24 to 27.

The Item number consists of:

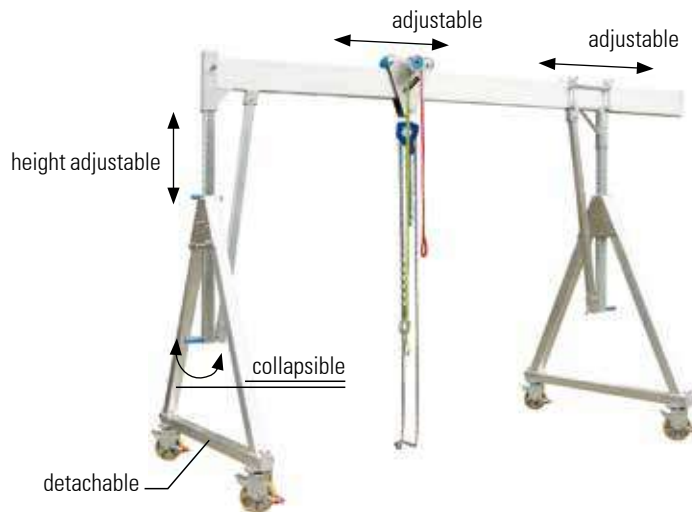
New Aluminium Gantry Crane: Item number of the standard crane (compare pages 24 to 27) -10

Examples:

Aluminium Gantry Crane, stationary model, double beam medium, load capacity 3,000 kg

- ▣ with 'Standard' Aluminium Double Beam, beam length 4,000 mm: item no. 1533040
- ▣ with 'separable resp. pluggable' Aluminium Double Beam, beam length 4,000 mm: item no. 1533040-10





Aluminium Gantry Cranes, movable under load, load capacity 1,000 kg and 1,500 kg

Delivery contents:

2 pieces lateral stand, collapsible

with 2 height adjustable beam supports made of aluminium special profiles

- distance between holes: 50 mm

with 4 steel casters

- heavy-duty polyurethane lining
- with integrated caster and live ring brake
- diameter of caster 200 mm
- width of caster 50 mm

The lateral stands can be easily folded and can therefore space saving stored and transported.

1 piece aluminium special profile beam

1 piece park-break trolley

Into the trolley e.g. the hoist (chain hoist) or appropriate lifting bands will be hooked.

The trolley can be moved smoothly on the aluminium beam and can be fixed in any position.

2 pieces bump stop

Collision protection for the trolley

1 piece integrated horizontal adjuster

By the use of the horizontal adjuster the usable length of the Aluminium Gantry Crane can be adjusted smoothly between the two lateral stands.

The running track width of the aluminium beam is variable. This is a definite added value as well as a higher flexibility for the user.

The Aluminium Gantry Crane is equipped with a brace on both sides between the aluminium beam and the lateral stand.

This connection is due to more stability of the Aluminium Gantry Crane.

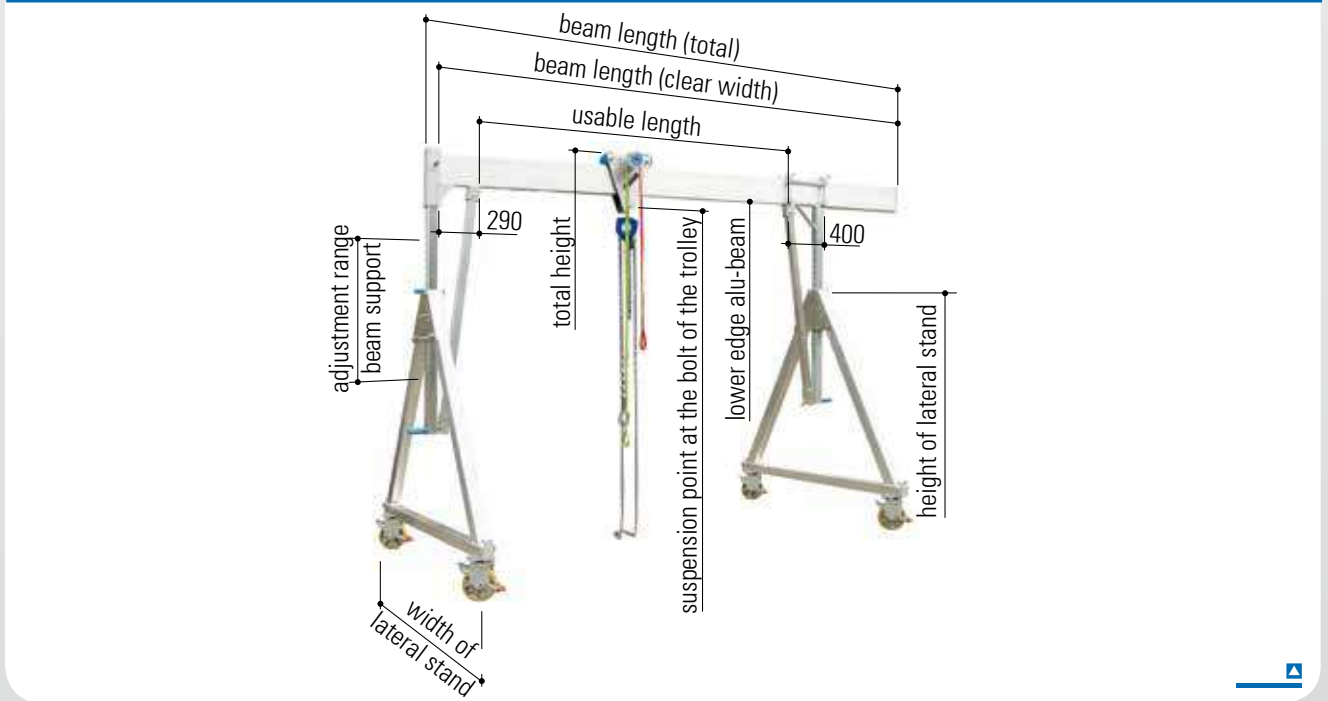
The Aluminium Gantry Crane System is a highly mobile, flexible, height and length adjustable, free standing construction.

The Aluminium Gantry Crane can be assembled and disassembled in a minimum of time with relatively few working steps.

There are no structural changes necessary (e.g. dowel fixture or the like).



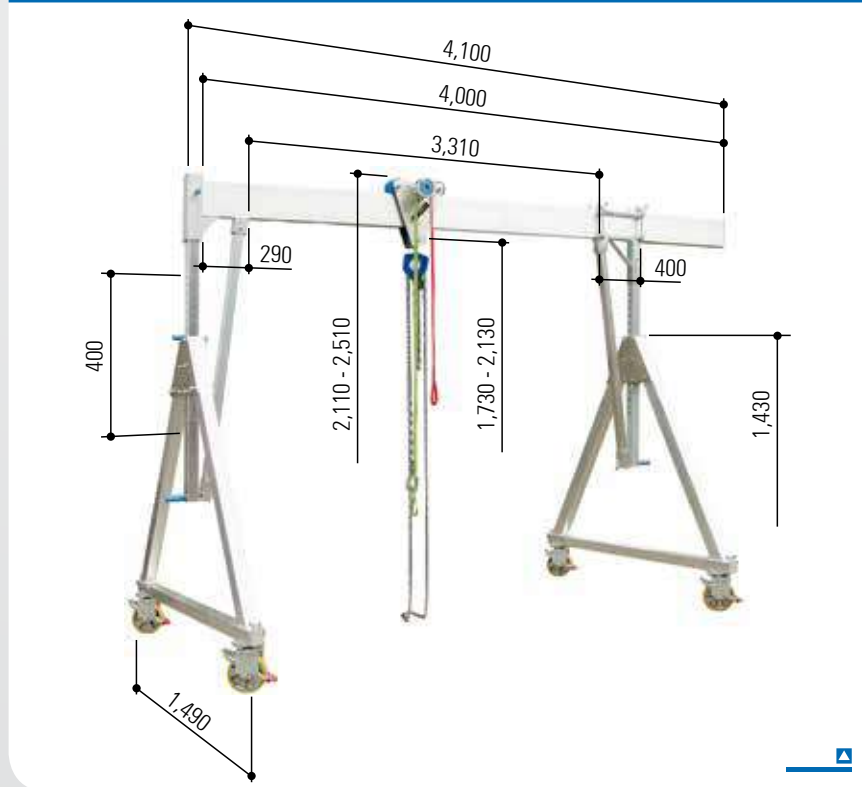
Aluminium Gantry Cranes, movable under load, load capacity 1,000 kg and 1,500 kg



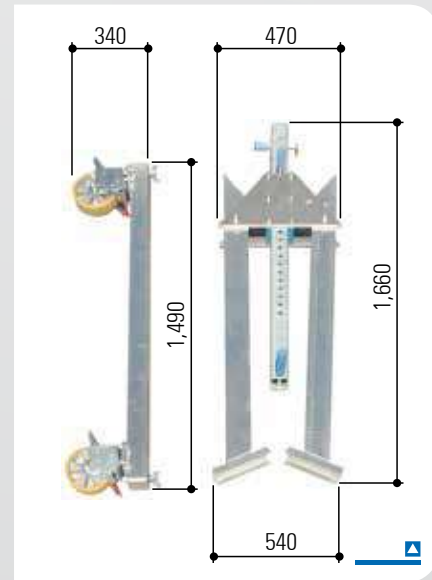
item no.	load capacity	beam length		suspension point at the bolt of the trolley		total height		lower edge alu beam		adjustment range	lateral stand		weight
		clear width	total	min.	max.	min.	max.	min.	max.	beam support	width	height	
	kg	mm	mm	mm	mm	mm	mm	mm	mm	mm	mm	mm	kg
small	Please find details for this Aluminum Gantry Crane on page 32.												
1471040	1,000	4,000	4,100	1,730	2,130	2,110	2,510	1,820	2,220	400	1,490	1,430	167
1471540	1,500	4,000	4,100	1,730	2,130	2,110	2,510	1,800	2,200	400	1,490	1,430	175
medium	Please find details for this Aluminum Gantry Crane on page 33.												
1481040	1,000	4,000	4,100	2,170	3,020	2,550	3,400	2,260	3,110	850	2,000	1,870	189
1481540	1,500	4,000	4,100	2,170	3,020	2,550	3,400	2,240	3,090	850	2,000	1,870	197
high	Please find details for this Aluminum Gantry Crane on page 34.												
1491040	1,000	4,000	4,100	2,500	3,800	2,880	4,180	2,590	3,890	1,300	2,320	2,140	207
1491540	1,500	4,000	4,100	2,500	3,800	2,880	4,180	2,570	3,870	1,300	2,320	2,140	215



Aluminium Gantry Cranes, movable under load, **small**



with collapsible lateral stands
incl. park-brake trolley
incl. integrated horizontal adjuster



Accessories

- ▣ Wall Bracketpage 78
- ▣ Crane Transporterpage 80
- ▣ Chain Hoistpage 81
- ▣ Electric Chain Hoistpage 82
- ▣ Cable System / Power Supplypage 83
- ▣ Manual Trolley Direction Band ...page 84
- ▣ Hand Winchpage 84
- ▣ Packing and Transportation
Boxpage 86

Alternatives

- ▣ casters with fixed directionpage 35
- ▣ solid rubber tyrespage 35
- ▣ separable resp. pluggable
Aluminium Beampage 36

Technical Data

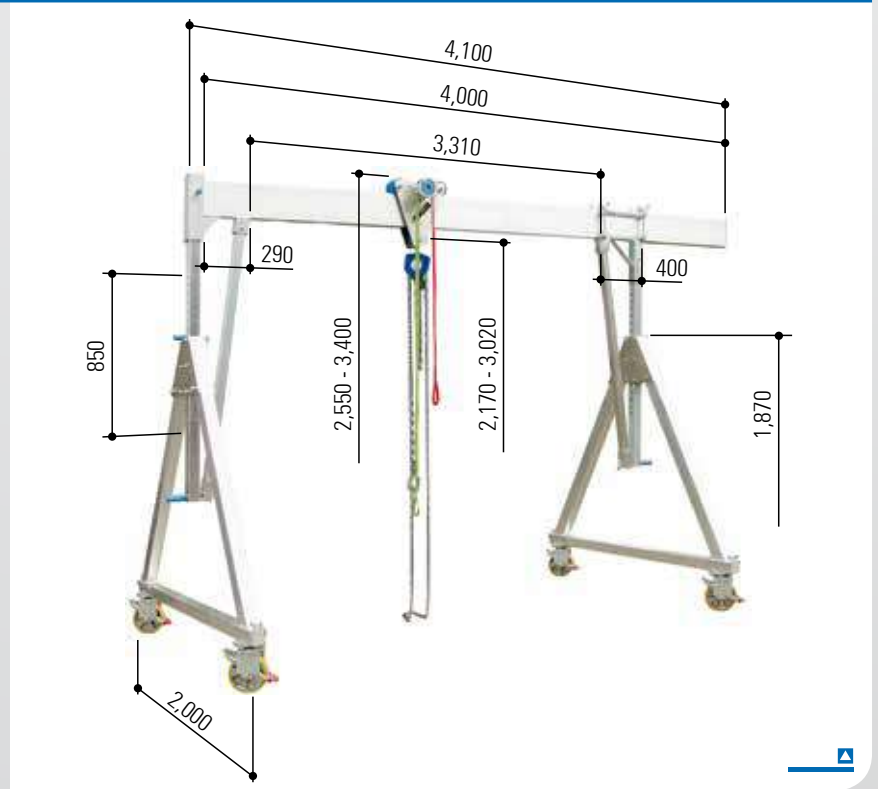
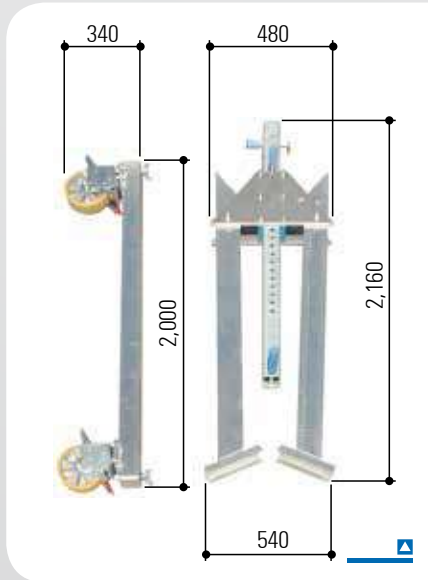
item no.		1471040	1471540
load capacity	kg	1,000	1,500
beam length	mm	4,000	4,000
beam support	mm	71 x 71	71 x 71
beam profile	mm	200 x 50	220 x 60
beam housing		one side: sleeve 92 x 92 mm, 380 mm long; with connection for brace; other side: end piece	
total weight	kg	167	175
aluminium beam	kg	31	39
lateral stand	kg	2 x 59	2 x 59
trolley	kg	8	8
horizontal adjuster	kg	10	10

Please find an overview of this Aluminium Gantry Crane on page 31.



Aluminium Gantry Cranes, movable under load, **medium**

with collapsible lateral stands
incl. park-brake trolley
incl. integrated horizontal adjuster



Alternatives

- ▣ casters with fixed directionpage 35
- ▣ solid rubber tyrespage 35
- ▣ separable resp. pluggable Aluminium Beampage 36

Accessories

- ▣ Wall Bracketpage 78
- ▣ Crane Transporterpage 80
- ▣ Chain Hoistpage 81
- ▣ Electric Chain Hoistpage 82
- ▣ Cable System / Power Supply ...page 83
- ▣ Manual Trolley Direction Band ...page 84
- ▣ Hand Winchpage 84
- ▣ Packing and Transportation Boxpage 86

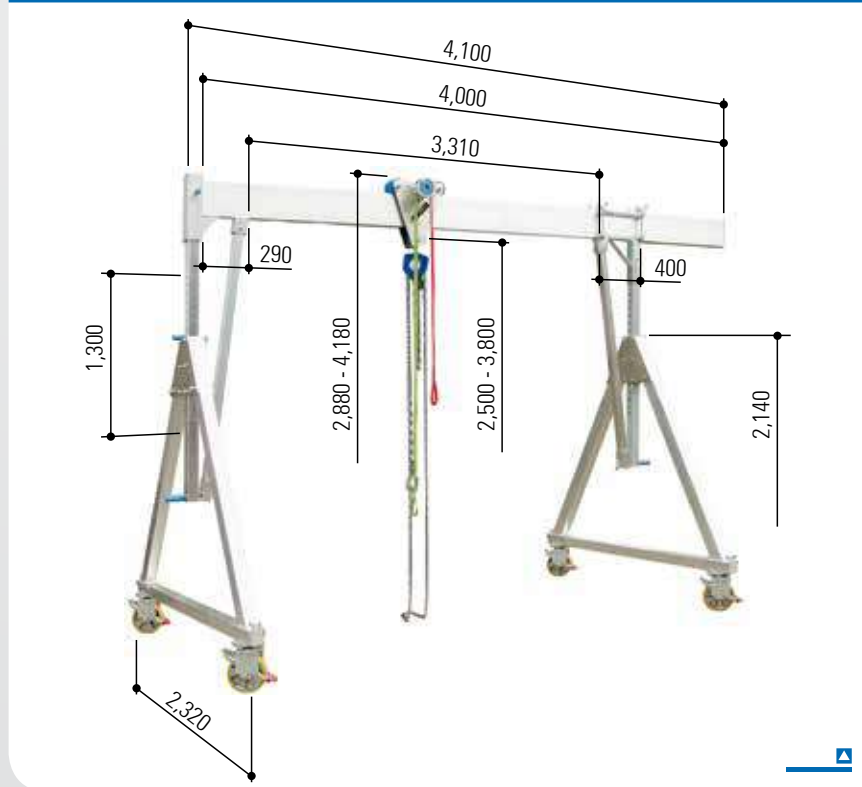
Technical Data

item no.		1481040	1481540
load capacity	kg	1,000	1,500
beam length	mm	4,000	4,000
beam support	mm	71 x 71	71 x 71
beam profile	mm	200 x 50	220 x 60
beam housing		one side: sleeve 92 x 92 mm, 380 mm long; with connection for brace; other side: end piece	
total weight	kg	189	197
aluminium beam	kg	31	39
lateral stand	kg	2 x 70	2 x 70
trolley	kg	8	8
horizontal adjuster	kg	10	10

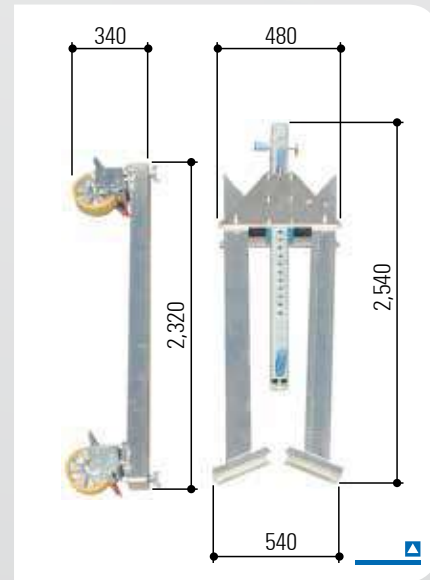
Please find an overview of this Aluminium Gantry Crane on page 31.



Aluminium Gantry Cranes, movable under load, **high**



with collapsible lateral stands
incl. park-brake trolley
incl. integrated horizontal adjuster



Accessories

- ▣ Wall Bracketpage 78
- ▣ Crane Transporterpage 80
- ▣ Chain Hoistpage 81
- ▣ Electric Chain Hoistpage 82
- ▣ Cable System / Power Supplypage 83
- ▣ Manual Trolley Direction Band ...page 84
- ▣ Hand Winchpage 84
- ▣ Packing and Transportation
Boxpage 86

Alternatives

- ▣ casters with fixed directionpage 35
- ▣ solid rubber tyrespage 35
- ▣ separable resp. pluggable
Aluminium Beampage 36

Technical Data

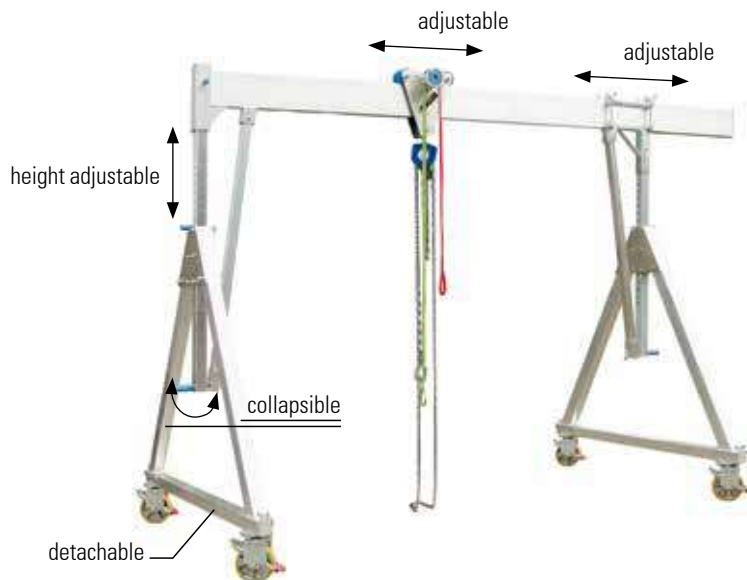
item no.		1491040	1491540
load capacity	kg	1,000	1,500
beam length	mm	4,000	4,000
beam support	mm	71 x 71	71 x 71
beam profile	mm	200 x 50	220 x 60
beam housing		one side: sleeve 92 x 92 mm, 380 mm long; with connection for brace; other side: end piece	
total weight	kg	207	215
aluminium beam	kg	31	39
lateral stand	kg	2 x 79	2 x 79
trolley	kg	8	8
horizontal adjuster	kg	10	10

Please find an overview of this Aluminium Gantry Crane on page 31.



Aluminium Gantry Cranes, movable under load, capacity 1,000 kg and 1,500 kg

with collapsible lateral stands
incl. park-brake trolley
incl. integrated horizontal adjuster



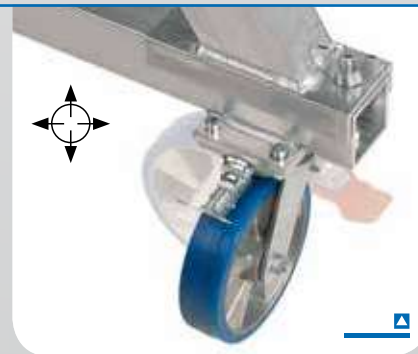
By request our Aluminium Gantry Cranes are also available with the following variety of casters:

fixed direction

- with 4 steel casters
- heavy-duty polyurethane lining
- with integrated caster and live ring brake
- with 4 x 90° fixed direction (please see symbol)
- diameter of caster 200 mm
- width of caster 50 mm

With this combination the Aluminium Gantry Crane can be exactly moved lengthways or laterally. By releasing the fixed direction the Crane can be moved freely. With the use of the brake system the Aluminium Gantry Crane can be secured positioned.

[item-no. standard gantry-Ri](#)
e.g. [item-no. 1481040-Ri](#)



solid rubber tyres

- with 4 steel casters
- with heavy-duty tyres with super-elastic-solid rubber tyres (groove profile)
- 3-komponents-tyres
 - foot of tyre steel wire core - embedded in a resistant rubber compound – guaranteed to fit tightly onto the rim
 - intermediate cushion ensures shock absorption and vibration damping, for favourable rolling resistance

- running surface the thick, abrasion-resistant running surface ensures a long durability
- with integrated caster and live ring brake
- diameter of caster 250 mm
- width of caster 85 mm

These tyres are available for Aluminium Gantry Crane with load capacity 1,000 kg.

[item-no. standard gantry-PU](#)
e.g. [item-no. 1481040-PU](#)





separable resp. pluggable Aluminium Beam



Picture: Aluminium Gantry Crane, stationary model, with single beam



The Item number consists of:

New Aluminium Gantry Crane: Item number of the standard crane (compare pages 30 to 34) -**10**

Examples:

Aluminium Gantry Crane, movable under load, medium, load capacity 1,000 kg

- ▣ with 'Standard' Aluminium Beam, beam length 4,000 mm: item no. 1481040
- ▣ with 'separable resp. pluggable' Aluminium Beam, beam length 4,000 mm: item no. 1481040-10

The separable resp. pluggable Aluminium Beam!

This latest addition is a consequence of further development of our extensive assortment of Cranes and Accessories. Through our own aspirations in optimisation we now bring you – the separable resp. pluggable Aluminium Beam.

An innovation for our customers

Through your wishes for speed, innovation and optimisation and further more high-end quality products we want to inspire you.

As we are able to offer our aluminium lateral stands with the alternative of being collapsible, we have now taken the longest and most cumbersome part in our delivery programme and enabled it to be separable resp. pluggable Aluminium Beam.

One of the two separated beam pieces can also be used as single Aluminium Beam as well.

Save even more space

- ▣ Purchase a complete Aluminium Gantry Crane including the separable resp. pluggable Aluminium Beam.
- ▣ Upgrade your already existing Aluminium Gantry Crane.

This separable resp. pluggable Aluminium Beam is suitable for Aluminium Gantry Cranes detailed on pages 30 to 34.





Aluminium Gantry Cranes, movable under load, with double beam, load capacity 1,000 kg and 1,500 kg

Delivery contents:

2 pieces lateral stand, collapsible

with 2 height adjustable beam supports made of aluminium special profiles

- distance between holes: 50 mm

with 4 steel casters

- heavy-duty polyurethane lining
- with integrated caster and live ring brake
- diameter of caster 200 mm
- width of caster 50 mm

The lateral stands can be easily folded and can therefore space saving stored and transported.

1 set aluminium special profile beam

(1 set = 2 single beams)

1 piece top-mounted park-break trolley

Into the trolley e.g. the hoist (chain hoist) or appropriate lifting bands will be hooked.

The trolley can be moved smoothly on the two aluminium beams and can be fixed in any position.

Due to the top-mounted trolley the maximum lift in relation to the total height can be used.

4 pieces bump stop

Collision protection for the trolley

1 piece integrated horizontal adjuster

By the use of the horizontal adjuster the usable length of the Aluminium Gantry Crane can be adjusted smoothly between the two lateral stands.

The running track width of the aluminium double beam is variable.

This is a definite added value as well as a higher flexibility for the user.

1 piece beam mountings

Both aluminium beams will be insert and fixed here.

Furthermore this component guarantee for the parallelism of the aluminium double beam.

The Aluminium Gantry Crane is equipped with two braces on both sides between the aluminium double beam and the lateral stand.

This connection is due to more stability of the Aluminium Gantry Crane.

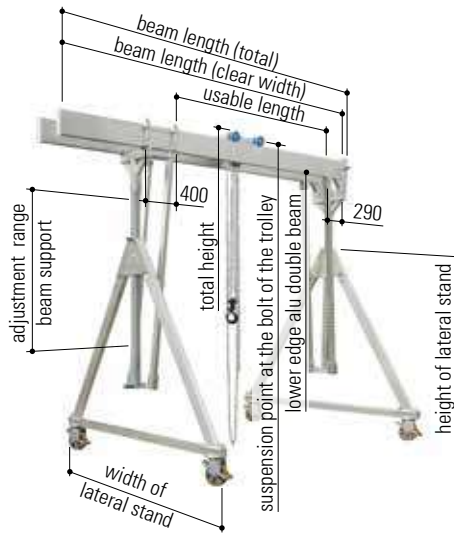
The Aluminium Gantry Crane System is a highly mobile, flexible, height and length adjustable, free standing construction.

The Aluminium Gantry Crane can be assembled and disassembled in a minimum of time with relatively few working steps.

There are no structural changes necessary (e.g. dowel fixture or the like).



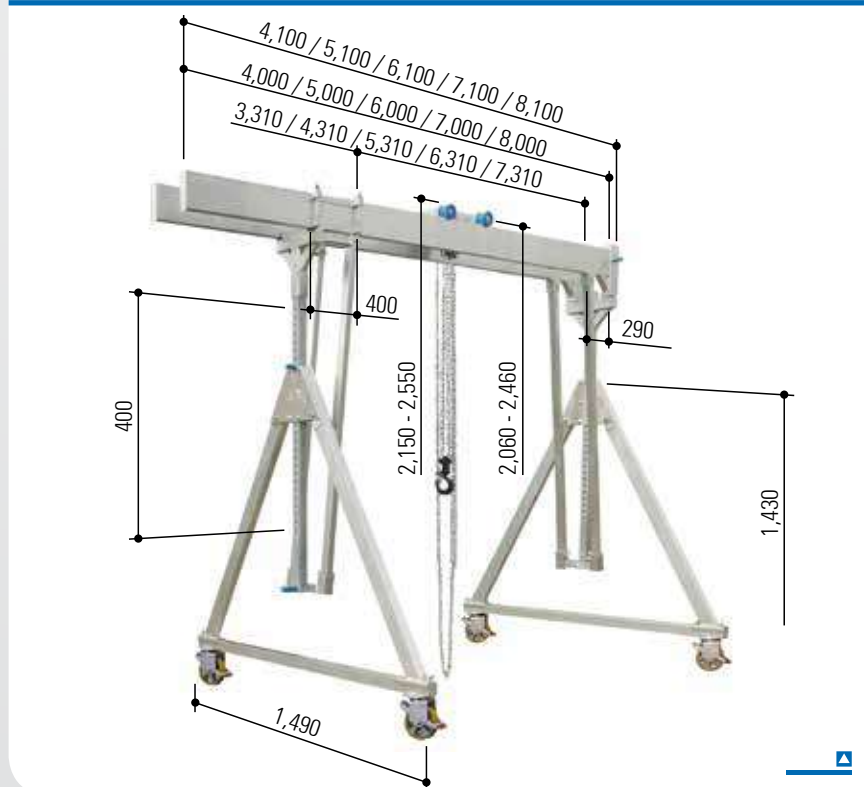
Aluminium Gantry Cranes, movable under load, with double beam, load capacity 1,000 kg and 1,500 kg



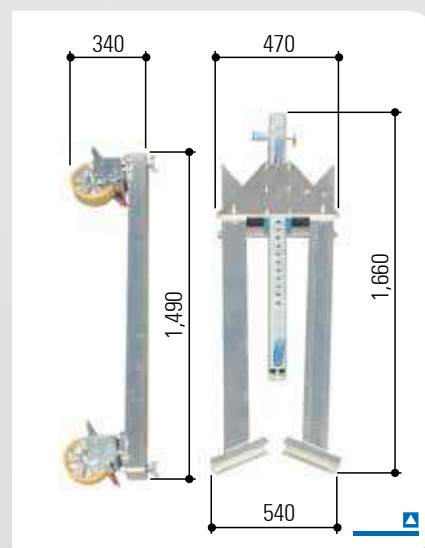
item no.	load capacity	beam length		suspension point at the bolt of the trolley		total height		lower edge alu double beam		adjustment range	lateral stand		weight
		clear width	total	min.	max.	min.	max.	min.	max.	beam support	width	height	
	kg	mm	mm	mm	mm	mm	mm	mm	mm	mm	mm	mm	kg
small Please find details for this Aluminum Gantry Crane on page 40.													
14401040	1,000	4,000	4,100	2,060	2,460	2,150	2,550	1,820	2,220	400	1,490	1,430	234
14401050	1,000	5,000	5,100	2,060	2,460	2,150	2,550	1,820	2,220	400	1,490	1,430	258
14401060	1,000	6,000	6,100	2,060	2,460	2,150	2,550	1,800	2,200	400	1,490	1,430	286
14401070	1,000	7,000	7,100	2,060	2,460	2,150	2,550	1,800	2,200	400	1,490	1,430	304
14401080	1,000	8,000	8,100	2,060	2,460	2,150	2,550	1,800	2,200	400	1,490	1,430	322
14401540	1,500	4,000	4,100	2,060	2,460	2,150	2,550	1,820	2,220	400	1,490	1,430	234
14401550	1,500	5,000	5,100	2,060	2,460	2,150	2,550	1,820	2,220	400	1,490	1,430	258
14401560	1,500	6,000	6,100	2,060	2,460	2,150	2,550	1,800	2,200	400	1,490	1,430	286
14401570	1,500	7,000	7,100	2,060	2,460	2,150	2,550	1,800	2,200	400	1,490	1,430	304
14401580	1,500	8,000	8,100	2,060	2,460	2,150	2,550	1,800	2,200	400	1,490	1,430	322
medium Please find details for this Aluminum Gantry Crane on page 41.													
14501040	1,000	4,000	4,100	2,500	3,350	2,590	3,440	2,260	3,110	850	2,000	1,870	260
14501050	1,000	5,000	5,100	2,500	3,350	2,590	3,440	2,260	3,110	850	2,000	1,870	284
14501060	1,000	6,000	6,100	2,500	3,350	2,590	3,440	2,240	3,090	850	2,000	1,870	312
14501070	1,000	7,000	7,100	2,500	3,350	2,590	3,440	2,240	3,090	850	2,000	1,870	330
14501080	1,000	8,000	8,100	2,500	3,350	2,590	3,440	2,240	3,090	850	2,000	1,870	348
14501540	1,500	4,000	4,100	2,500	3,350	2,590	3,440	2,260	3,110	850	2,000	1,870	260
14501550	1,500	5,000	5,100	2,500	3,350	2,590	3,440	2,260	3,110	850	2,000	1,870	284
14501560	1,500	6,000	6,100	2,500	3,350	2,590	3,440	2,240	3,090	850	2,000	1,870	312
14501570	1,500	7,000	7,100	2,500	3,350	2,590	3,440	2,240	3,090	850	2,000	1,870	330
14501580	1,500	8,000	8,100	2,500	3,350	2,590	3,440	2,240	3,090	850	2,000	1,870	348
high Please find details for this Aluminum Gantry Crane on page 42.													
14601040	1,000	4,000	4,100	2,830	4,130	2,920	4,220	2,590	3,890	1,300	2,320	2,130	278
14601050	1,000	5,000	5,100	2,830	4,130	2,920	4,220	2,590	3,890	1,300	2,320	2,130	302
14601060	1,000	6,000	6,100	2,830	4,130	2,920	4,220	2,570	3,870	1,300	2,320	2,130	330
14601070	1,000	7,000	7,100	2,830	4,130	2,920	4,220	2,570	3,870	1,300	2,320	2,130	348
14601080	1,000	8,000	8,100	2,830	4,130	2,920	4,220	2,570	3,870	1,300	2,320	2,130	366
14601540	1,500	4,000	4,100	2,830	4,130	2,920	4,220	2,590	3,890	1,300	2,320	2,130	278
14601550	1,500	5,000	5,100	2,830	4,130	2,920	4,220	2,590	3,890	1,300	2,320	2,130	302
14601560	1,500	6,000	6,100	2,830	4,130	2,920	4,220	2,570	3,870	1,300	2,320	2,130	330
14601570	1,500	7,000	7,100	2,830	4,130	2,920	4,220	2,570	3,870	1,300	2,320	2,130	348
14601580	1,500	8,000	8,100	2,830	4,130	2,920	4,220	2,570	3,870	1,300	2,320	2,130	366



Aluminium Gantry Cranes, movable under load with double beam, **small**



with collapsible lateral stands
incl. top-mounted park-brake trolley
incl. integrated horizontal adjuster
incl. beam mountings



Accessories

- ▣ Wall Bracket page 78
- ▣ Crane Transporter page 80
- ▣ Chain Hoist page 81
- ▣ Electric Chain Hoist page 82
- ▣ Cable System / Power Supply page 83
- ▣ Manual Trolley Direction Band ... page 84
- ▣ Hand Winch page 84
- ▣ Packing and Transportation
Box page 86

Alternatives

- ▣ casters with fixed direction page 43
- ▣ solid rubber tyres page 43
- ▣ separable resp. pluggable
Aluminium Double Beam page 44

Technical Data

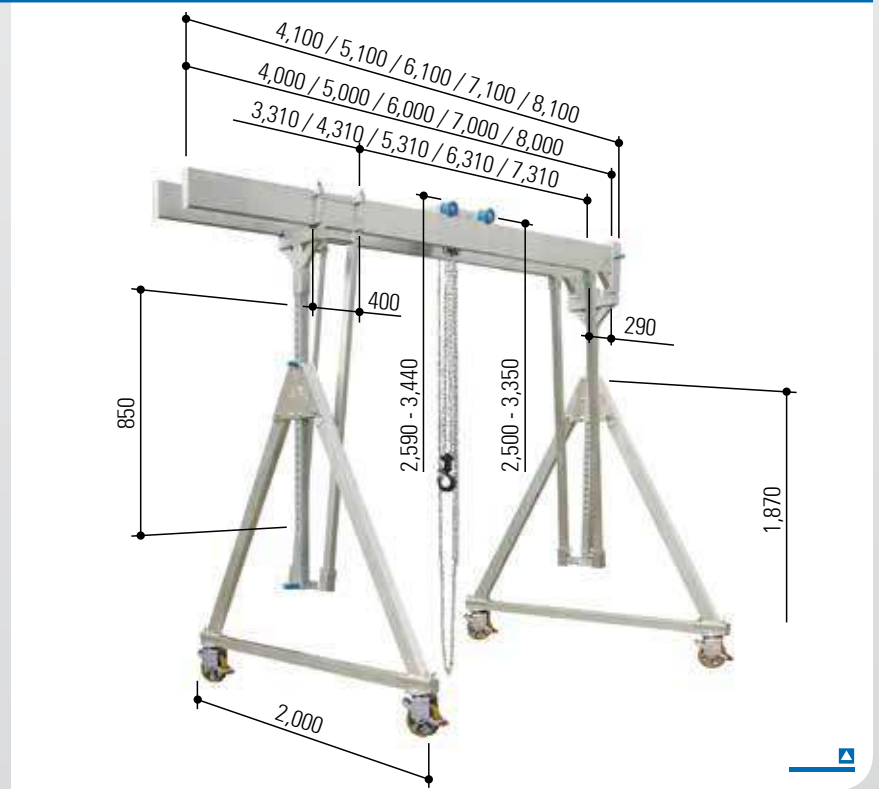
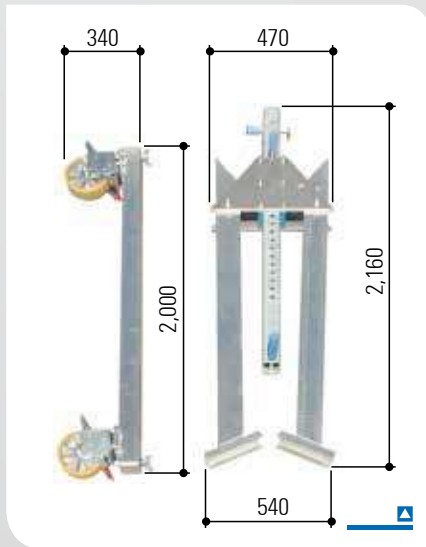
item no.		14401040	14401050	14401060	14401070	14401080	14401540	14401550	14401560	14401570	14401580
load capacity	kg	1,000	1,000	1,000	1,000	1,000	1,500	1,500	1,500	1,500	1,500
beam length	mm	4,000	5,000	6,000	7,000	8,000	4,000	5,000	6,000	7,000	8,000
beam support	mm	71 x 71	71 x 71	71 x 71	71 x 71	71 x 71	71 x 71	71 x 71	71 x 71	71 x 71	71 x 71
beam profile	mm	200 x 50	200 x 50	220 x 60	220 x 60	220 x 60	200 x 50	200 x 50	220 x 60	220 x 60	220 x 60
beam housing		one side: sleeve 92 x 92 mm, 380 mm long; with connection for brace; other side: end piece									
clear width alu beam	mm	260	260	250	250	250	260	260	250	250	250
total weight	kg	234	258	286	304	322	234	258	286	304	322
aluminium beam	kg	2 x 31	2 x 43	2 x 57	2 x 66	2 x 75	2 x 31	2 x 43	2 x 57	2 x 66	2 x 75
lateral stand	kg	2 x 63	2 x 63	2 x 63	2 x 63	2 x 63	2 x 63	2 x 63	2 x 63	2 x 63	2 x 63
trolley	kg	17	17	17	17	17	17	17	17	17	17
horizontal adjuster	kg	21	21	21	21	21	21	21	21	21	21
beam mountings	kg	8	8	8	8	8	8	8	8	8	8

Please find an overview of this Aluminium Gantry Crane on page 39.



Aluminium Gantry Cranes, movable under load with double beam, **medium**

with collapsible lateral stands
incl. top-mounted park-brake trolley
incl. integrated horizontal adjuster
incl. beam mountings



Alternatives

- ▣ casters with fixed direction page 43
- ▣ solid rubber tyres page 43
- ▣ separable resp. pluggable Aluminium Double Beam page 44

Accessories

- ▣ Wall Bracket page 78
- ▣ Crane Transporter page 80
- ▣ Chain Hoist page 81
- ▣ Electric Chain Hoist page 82
- ▣ Cable System / Power Supply ... page 83
- ▣ Manual Trolley Direction Band ... page 84
- ▣ Hand Winch page 84
- ▣ Packing and Transportation Box page 86

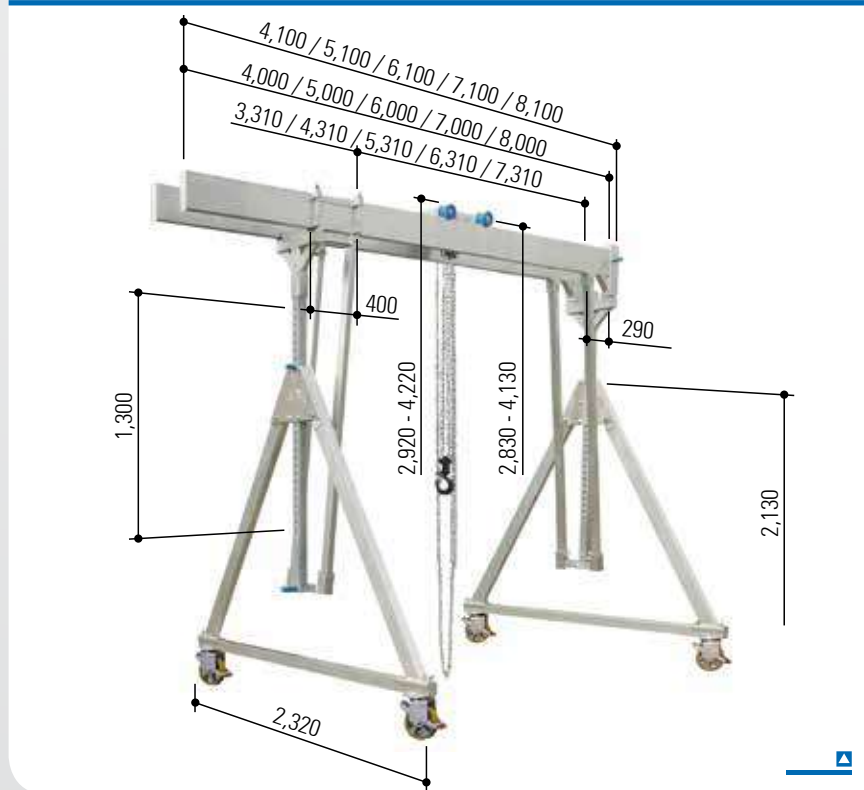
Technical Data

item no.		14501040	14501050	14501060	14501070	14501080	14501540	14501550	14501560	14501570	14501580
load capacity	kg	1.000	1.000	1.000	1.000	1.000	1.500	1.500	1.500	1.500	1.500
beam length	mm	4.000	5.000	6.000	7.000	8.000	4.000	5.000	6.000	7.000	8.000
beam support	mm	71 x 71	71 x 71	71 x 71	71 x 71	71 x 71	71 x 71	71 x 71	71 x 71	71 x 71	71 x 71
beam profile	mm	200 x 50	200 x 50	220 x 60	220 x 60	220 x 60	200 x 50	200 x 50	220 x 60	220 x 60	220 x 60
beam housing		one side: sleeve 92 x 92 mm, 380 mm long; with connection for brace; other side: end piece									
clear width alu beam	mm	260	260	250	250	250	260	260	250	250	250
total weight	kg	260	284	312	330	348	260	284	312	330	348
aluminium beam	kg	2 x 31	2 x 43	2 x 57	2 x 66	2 x 75	2 x 31	2 x 43	2 x 57	2 x 66	2 x 75
lateral stand	kg	2 x 76	2 x 76	2 x 76	2 x 76	2 x 76	2 x 76	2 x 76	2 x 76	2 x 76	2 x 76
trolley	kg	17	17	17	17	17	17	17	17	17	17
horizontal adjuster	kg	21	21	21	21	21	21	21	21	21	21
beam mountings	kg	8	8	8	8	8	8	8	8	8	8

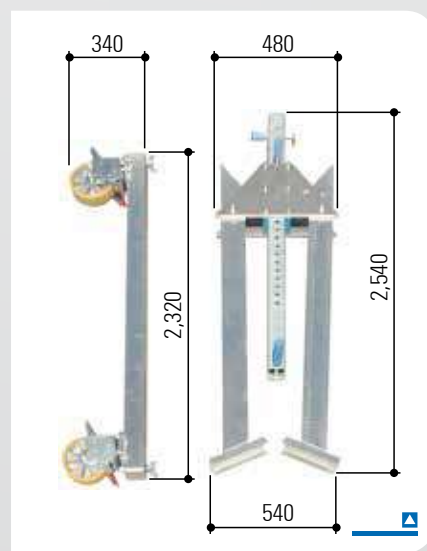
Please find an overview of this Aluminium Gantry Crane on page 39.



Aluminium Gantry Cranes, movable under load with double beam, high



with collapsible lateral stands
incl. top-mounted park-brake trolley
incl. integrated horizontal adjuster
incl. beam mountings



Accessories

- ▣ Wall Bracketpage 78
- ▣ Crane Transporterpage 80
- ▣ Chain Hoistpage 81
- ▣ Electric Chain Hoistpage 82
- ▣ Cable System / Power Supplypage 83
- ▣ Manual Trolley Direction Band ...page 84
- ▣ Hand Winchpage 84
- ▣ Packing and Transportation
Boxpage 86

Alternatives

- ▣ casters with fixed directionpage 43
- ▣ solid rubber tyrespage 43
- ▣ separable resp. pluggable
Aluminium Double Beampage 44

Technical Data

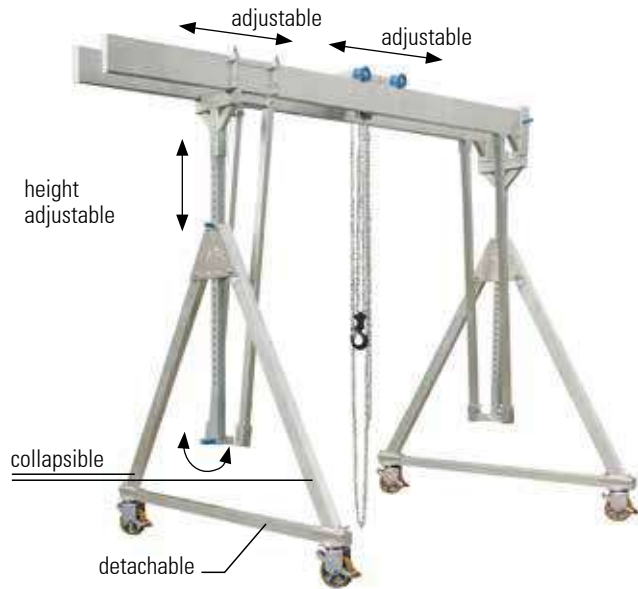
item no.		14601040	14601050	14601060	14601070	14601080	14601540	14601550	14601560	14601570	14601580
load capacity	kg	1.000	1.000	1.000	1.000	1.000	1.500	1.500	1.500	1.500	1.500
beam length	mm	4.000	5.000	6.000	7.000	8.000	4.000	5.000	6.000	7.000	8.000
beam support	mm	71 x 71	71 x 71	71 x 71	71 x 71	71 x 71	71 x 71	71 x 71	71 x 71	71 x 71	71 x 71
beam profile	mm	200 x 50	200 x 50	220 x 60	220 x 60	220 x 60	200 x 50	200 x 50	220 x 60	220 x 60	220 x 60
beam housing		one side: sleeve 92 x 92 mm, 380 mm long; with connection for brace; other side: end piece									
clear width alu beam	mm	260	260	250	250	250	260	260	250	250	250
total weight	kg	278	302	330	348	366	278	302	330	348	366
aluminium beam	kg	2 x 31	2 x 43	2 x 57	2 x 66	2 x 75	2 x 31	2 x 43	2 x 57	2 x 66	2 x 75
lateral stand	kg	2 x 85	2 x 85	2 x 85	2 x 85	2 x 85	2 x 85	2 x 85	2 x 85	2 x 85	2 x 85
trolley	kg	17	17	17	17	17	17	17	17	17	17
horizontal adjuster	kg	21	21	21	21	21	21	21	21	21	21
beam mountings	kg	8	8	8	8	8	8	8	8	8	8

Please find an overview of this Aluminium Gantry Crane on page 39.



Aluminium Gantry Cranes, movable under load with double beam, load capacity 1,000 kg and 1,500 kg

with collapsible lateral stands
incl. top-mounted park-brake trolley
incl. integrated horizontal adjuster
incl. beam mountings



By request our Aluminium Gantry Cranes are also available with the following variety of casters:

fixed direction

- with 4 steel casters
- heavy-duty polyurethane lining
- with integrated caster and live ring brake
- with 4 x 90° fixed direction (please see symbol)
- diameter of caster 200 mm
- width of caster 50 mm

With this combination the Aluminium Gantry Crane can be exactly moved lengthways or laterally. By releasing the fixed direction the Crane can be moved freely. With the use of the brake system the Aluminium Gantry Crane can be secured positioned.

item-no. standard gantry-Ri
e.g. item-no. 14501040-Ri



solid rubber tyres

- with 4 steel casters
- with heavy-duty tyres with super-elastic-solid rubber tyres (groove profile)
- 3-komponents-tyres
 - foot of tyre
 - steel wire core - embedded in a resistant rubber compound – guaranteed to fit tightly onto the rim
 - intermediate cushion ensures shock absorption and vibration damping, for favourable rolling resistance

- running surface the thick, abrasion-resistant running surface ensures a long durability
- with integrated caster and live ring brake
- diameter of caster 250 mm
- width of caster 85 mm

These tyres are available for Aluminium Gantry Crane with load capacity 1,000 kg.

item-no. standard gantry-PU
e.g. item-no. 14501040-PU





separable resp. pluggable Aluminium Double Beam



Picture: Aluminium Gantry Crane, stationary model, with single beam



The separable resp. pluggable Aluminium Double Beam!

This latest addition is a consequence of further development of our extensive assortment of Cranes and Accessories. Through our own aspirations in optimisation we now bring you – the separable resp. pluggable Aluminium Double Beam.

An innovation for our customers

Through your wishes for speed, innovation and optimisation and further more high-end quality products we want to inspire you.

As we are able to offer our aluminium lateral stands with the alternative of being collapsible, we have now taken the longest and most cumbersome part in our delivery programme and enabled it to be separable resp. pluggable Aluminium Double Beam.

One of the two separated beam pieces can also be used as individual Aluminium Double Beam as well.

Save even more space

- ▣ Purchase a complete Aluminium Gantry Crane including the separable resp. pluggable Aluminium Double Beam.
- ▣ Upgrade your already existing Aluminium Gantry Crane.

This separable resp. pluggable Aluminium Double Beam is suitable for Aluminium Gantry Cranes detailed on pages 38 to 42.

The Item number consists of:

New Aluminium Gantry Crane: Item number of the standard crane (compare pages 38 to 42) -10

Examples:

- Aluminium Gantry Crane, movable under load, with double beam, medium, load capacity 1,000 kg
- ▣ with 'Standard' Aluminium Beam, beam length 4,000 mm: item no. 14501040
- ▣ with 'separable resp. pluggable' Aluminium Double Beam, beam length 4,000 mm: item no. 14501040-10





Aluminium Gantry Cranes, movable under load, with double beam, load capacity 2,000 kg and 3,000 kg

Delivery contents:

2 pieces lateral stand, collapsible

with 2 height adjustable beam supports made of aluminium special profiles

- distance between holes: 50 mm

with 8 steel casters

- heavy-duty polyurethane lining
- with integrated caster and live ring brake
- diameter of caster 200 mm
- width of caster 50 mm

The lateral stands can be easily folded and can therefore space saving stored and transported.

1 set aluminium special profile beam

(1 set = 2 single beams)

1 piece top-mounted park-break trolley

Into the trolley e.g. the hoist (chain hoist) or appropriate lifting bands will be hooked.

The trolley can be moved smoothly on the two aluminium beams and can be fixed in any position.

Due to the top-mounted trolley the maximum lift in relation to the total height can be used.

4 pieces bump stop

Collision protection for the trolley

1 piece integrated horizontal adjuster

By the use of the horizontal adjuster the usable length of the Aluminium Gantry Crane can be adjusted smoothly between the two lateral stands.

The running track width of the aluminium double beam is variable.

This is a definite added value as well as a higher flexibility for the user.

1 piece beam mountings

Both aluminium beams will be insert and fixed here.

Furthermore this component guarantee for the parallelism of the aluminium double beam.

The Aluminium Gantry Crane is equipped with two braces on both sides between the aluminium double beam and the lateral stand.

This connection is due to more stability of the Aluminium Gantry Crane.

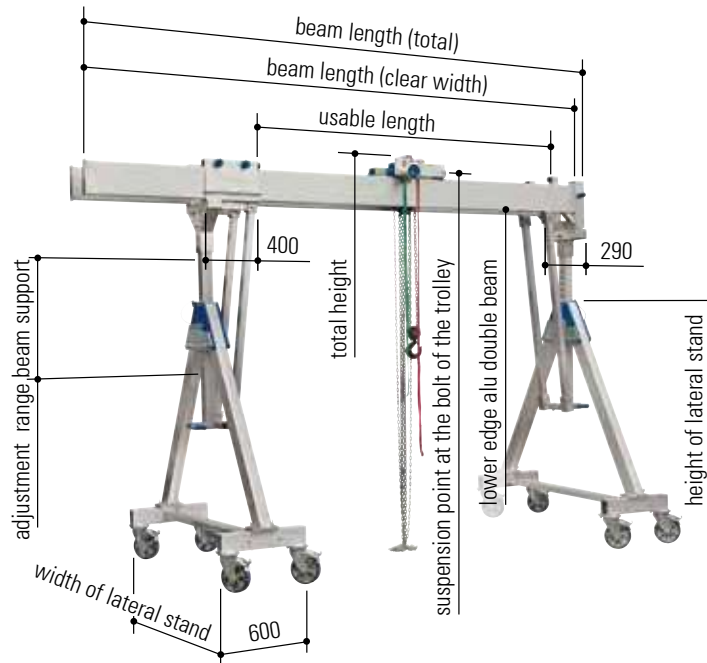
The Aluminium Gantry Crane System is a highly mobile, flexible, height and length adjustable, free standing construction.

The Aluminium Gantry Crane can be assembled and disassembled in a minimum of time with relatively few working steps.

There are no structural changes necessary (e.g. dowel fixture or the like).



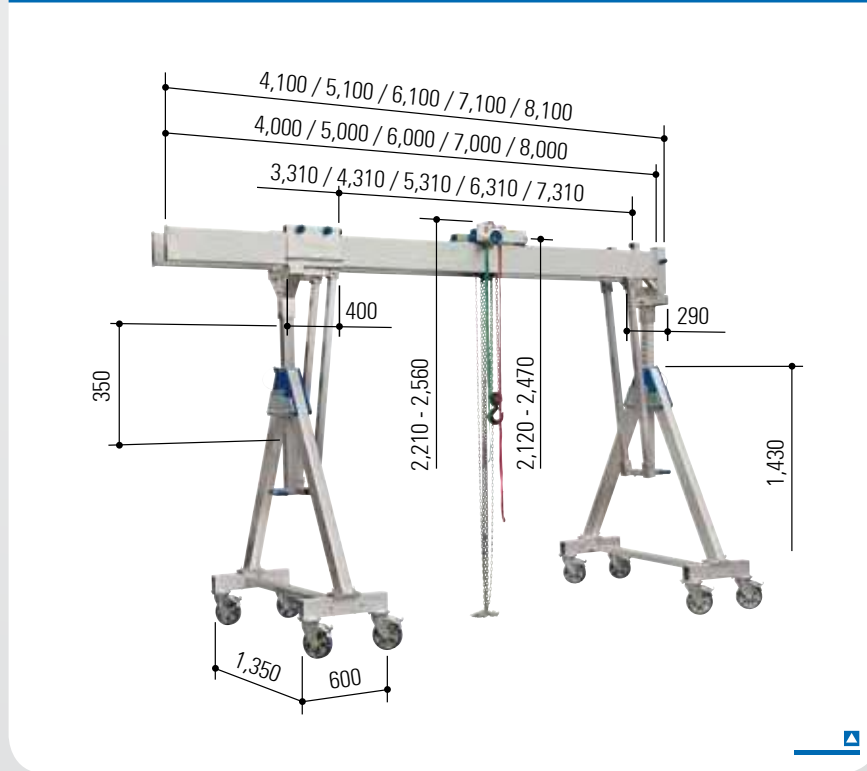
Aluminium Gantry Cranes, movable under load, with double beam, load capacity 2,000 kg and 3,000 kg



item no.	load capacity	beam length		suspension point at the bolt of the trolley		total height		lower edge alu double beam		adjustment range	lateral stand		weight
		clear width	total	min.	max.	min.	max.	min.	max.	beam support	width	height	
	kg	mm	mm	mm	mm	mm	mm	mm	mm	mm	mm	mm	kg
small	Please find details for this Aluminum Gantry Crane on pages 48 and 49,												
14402040	2,000	4,000	4,100	2,120	2,470	2,210	2,560	1,860	2,210	350	1,350/600	1,430	300
14402050	2,000	5,000	5,100	2,120	2,470	2,210	2,560	1,860	2,210	350	1,350/600	1,430	318
14402060	2,000	6,000	6,100	2,120	2,470	2,210	2,560	1,860	2,210	350	1,350/600	1,430	336
14402070	2,000	7,000	7,100	2,120	2,470	2,210	2,560	1,860	2,210	350	1,350/600	1,430	354
14402080	2,000	8,000	8,100	2,120	2,470	2,210	2,560	1,860	2,210	350	1,350/600	1,430	436
14403040	3,000	4,000	4,100	2,120	2,470	2,210	2,560	1,860	2,210	350	1,350/600	1,430	300
14403050	3,000	5,000	5,100	2,120	2,470	2,210	2,560	1,860	2,210	350	1,350/600	1,430	358
medium	Please find details for this Aluminum Gantry Crane on pages 50 and 51,												
14502040	2,000	4,000	4,100	2,620	3,370	2,720	3,470	2,350	3,110	750	1,870/600	1,880	326
14502050	2,000	5,000	5,100	2,620	3,370	2,720	3,470	2,350	3,110	750	1,870/600	1,880	344
14502060	2,000	6,000	6,100	2,620	3,370	2,720	3,470	2,350	3,110	750	1,870/600	1,880	362
14502070	2,000	7,000	7,100	2,620	3,370	2,720	3,470	2,350	3,110	750	1,870/600	1,880	380
14502080	2,000	8,000	8,100	2,620	3,370	2,720	3,470	2,350	3,110	750	1,870/600	1,880	462
14503040	3,000	4,000	4,100	2,620	3,370	2,720	3,470	2,350	3,110	750	1,870/600	1,880	362
14503050	3,000	5,000	5,100	2,620	3,370	2,720	3,470	2,350	3,110	750	1,870/600	1,880	384
high	Please find details for this Aluminum Gantry Crane on pages 52 and 53,												
14602040	2,000	4,000	4,100	3,030	4,180	3,120	4,270	2,770	3,920	1,150	2,220/600	2,190	348
14602050	2,000	5,000	5,100	3,030	4,180	3,120	4,270	2,770	3,920	1,150	2,220/600	2,190	366
14602060	2,000	6,000	6,100	3,030	4,180	3,120	4,270	2,770	3,920	1,150	2,220/600	2,190	384
14602070	2,000	7,000	7,100	3,030	4,180	3,120	4,270	2,770	3,920	1,150	2,220/600	2,190	402
14602080	2,000	8,000	8,100	3,030	4,180	3,120	4,270	2,770	3,920	1,150	2,220/600	2,190	484
14603040	3,000	4,000	4,100	3,030	4,180	3,120	4,270	2,770	3,920	1,150	2,220/600	2,190	348
14603050	3,000	5,000	5,100	3,030	4,180	3,120	4,270	2,770	3,920	1,150	2,220/600	2,190	406



Aluminium Gantry Cranes, movable under load, with double beam, **load capacity 2,000 kg, small**



with collapsible lateral stands
incl. top-mounted park-brake trolley
incl. integrated horizontal adjuster
incl. beam mountings

Accessories

- ▣ Wall Bracket page 78
- ▣ Crane Transporter page 80
- ▣ Chain Hoist page 81
- ▣ Electric Chain Hoist page 82
- ▣ Cable System / Power Supply page 83
- ▣ Manual Trolley Direction Band ... page 84
- ▣ Hand Winch page 84
- ▣ Packing and Transportation
Box page 86

Alternatives

- ▣ separable resp. pluggable
Aluminium Double Beam page 54

Technical Data

item no.		14402040	14402050	14402060	14402070	14402080
load capacity	kg	2,000	2,000	2,000	2,000	2,000
beam length	mm	4,000	5,000	6,000	7,000	8,000
beam support	mm	81 x 81	81 x 81	81 x 81	81 x 81	81 x 81
beam profile	mm	220 x 60	220 x 60	220 x 60	220 x 60	220 x 60*
beam housing		one side: sleeve 92 x 92 mm, 380 mm long; with connection for brace; other side: end piece				
clear width alu beam	mm	250	250	250	250	250
total weight	kg	300	318	336	354	436
aluminium beam	kg	2 x 39	2 x 48	2 x 57	2 x 66	2 x 107
lateral stand	kg	2 x 86	2 x 86	2 x 86	2 x 86	2 x 86
trolley	kg	17	17	17	17	17
horizontal adjuster	kg	23	23	23	23	23
beam mountings	kg	10	10	10	10	10

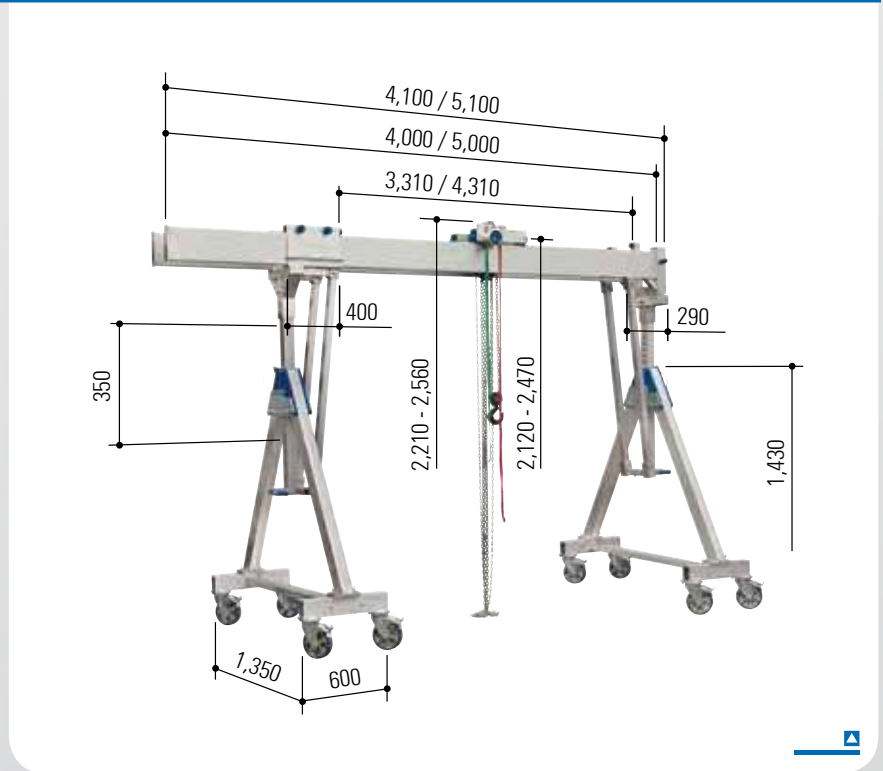
* with larger profile thickness (inwards)

Please find an overview of this Aluminium Gantry Crane on page 47.



Aluminium Gantry Cranes, movable under load, with double beam, **load capacity 3,000 kg, small**

with collapsible lateral stands
incl. top-mounted park-brake trolley
incl. integrated horizontal adjuster
incl. beam mountings



Alternatives

- ▣ separable resp. pluggable Aluminium Double Beampage 54

Accessories

- ▣ Wall Bracketpage 78
- ▣ Crane Transporterpage 80
- ▣ Chain Hoistpage 81
- ▣ Electric Chain Hoistpage 82
- ▣ Cable System / Power Supply ...page 83
- ▣ Manual Trolley Direction Band ...page 84
- ▣ Hand Winchpage 84
- ▣ Packing and Transportation Boxpage 86

Technical Data

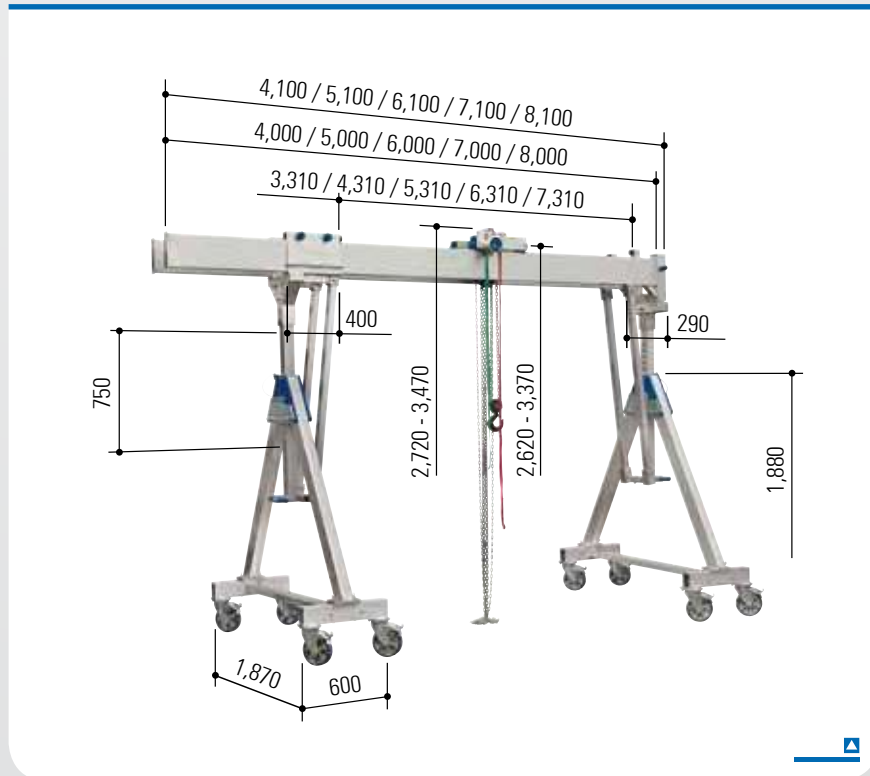
item no.		14403040	14403050
load capacity	kg	3,000	3,000
beam length	mm	4,000	5,000
beam support	mm	81 x 81	81 x 81
beam profile	mm	220 x 60	220 x 60*
beam housing		one side: sleeve 92 x 92 mm, 380 mm long; with connection for brace; other side: end piece	
clear width alu beam	mm	250	250
total weight	kg	300	358
aluminium beam	kg	2 x 39	2 x 68
lateral stand	kg	2 x 86	2 x 86
trolley	kg	17	17
horizontal adjuster	kg	23	23
beam mountings	kg	10	10

* with larger profile thickness (inwards)

Please find an overview of this Aluminium Gantry Crane on page 47.



Aluminium Gantry Cranes, movable under load, with double beam, **load capacity 2,000 kg, medium**



with collapsible lateral stands
incl. top-mounted park-brake trolley
incl. integrated horizontal adjuster
incl. beam mountings

Accessories

- ▣ Wall Bracketpage 78
- ▣ Crane Transporterpage 80
- ▣ Chain Hoistpage 81
- ▣ Electric Chain Hoistpage 82
- ▣ Cable System / Power Supplypage 83
- ▣ Manual Trolley Direction Band ...page 84
- ▣ Hand Winchpage 84
- ▣ Packing and Transportation
Boxpage 86

Alternatives

- ▣ separable resp. pluggable
Aluminium Double Beampage 54

Technical Data

item no.		14502040	14502050	14502060	14502070	14502080
load capacity	kg	2,000	2,000	2,000	2,000	2,000
beam length	mm	4,000	5,000	6,000	7,000	8,000
beam support	mm	81 x 81	81 x 81	81 x 81	81 x 81	81 x 81
beam profile	mm	220 x 60	220 x 60	220 x 60	220 x 60	220 x 60*
beam housing		one side: other side:	sleeve 92 x 92 mm, 380 mm long; with connection for brace; end piece			
clear width alu beam	mm	250	250	250	250	250
total weight	kg	326	344	362	380	462
aluminium beam	kg	2 x 39	2 x 48	2 x 57	2 x 66	2 x 107
lateral stand	kg	2 x 99	2 x 99	2 x 99	2 x 99	2 x 99
trolley	kg	17	17	17	17	17
horizontal adjuster	kg	23	23	23	23	23
beam mountings	kg	10	10	10	10	10

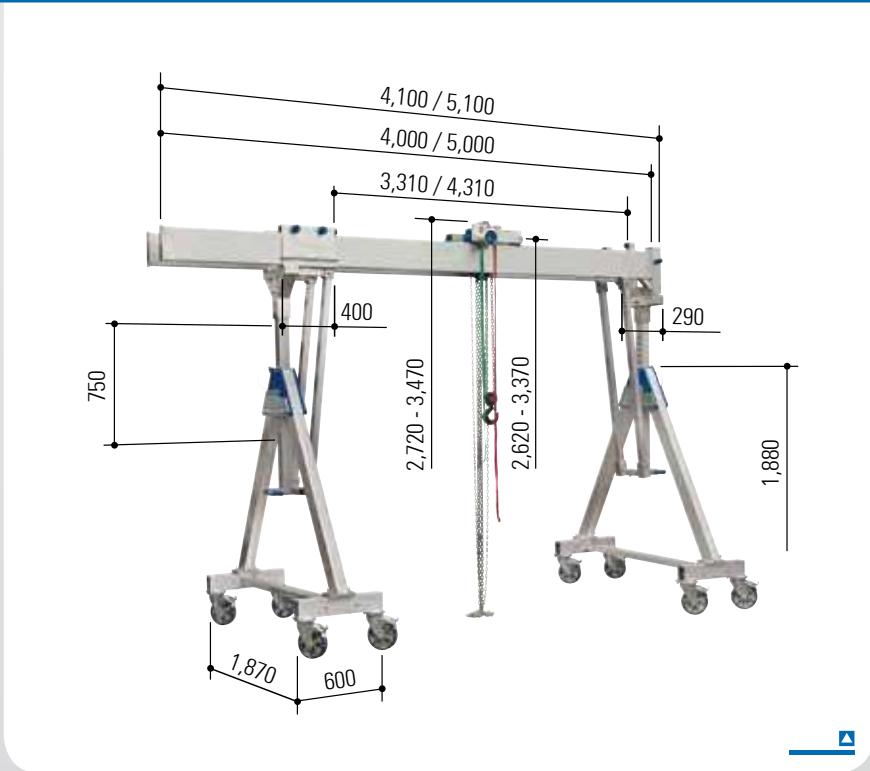
* with larger profile thickness (inwards)

Please find an overview of this Aluminium Gantry Crane on page 47.



Aluminium Gantry Cranes, movable under load, with double beam, **load capacity 3,000 kg, medium**

with collapsible lateral stands
incl. top-mounted park-brake trolley
incl. integrated horizontal adjuster
incl. beam mountings



Alternatives

- ▣ separable resp. pluggable Aluminium Double Beampage 54

Accessories

- ▣ Wall Bracketpage 78
- ▣ Crane Transporterpage 80
- ▣ Chain Hoistpage 81
- ▣ Electric Chain Hoistpage 82
- ▣ Cable System / Power Supply ...page 83
- ▣ Manual Trolley Direction Band ...page 84
- ▣ Hand Winchpage 84
- ▣ Packing and Transportation Boxpage 86

Technical Data

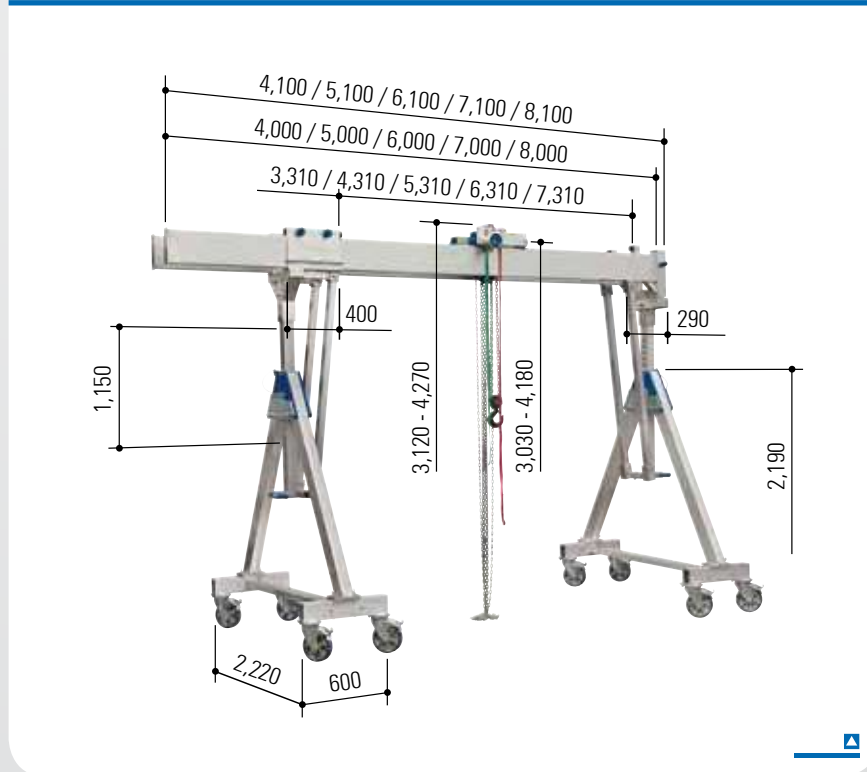
item no.		14503040	14503050
load capacity	kg	3,000	3,000
beam length	mm	4,000	5,000
beam support	mm	81 x 81	81 x 81
beam profile	mm	220 x 60	220 x 60*
beam housing		one side: sleeve 92 x 92 mm, 380 mm long; with connection for brace; other side: end piece	
clear width alu beam	mm	250	250
total weight	kg	326	384
aluminium beam	kg	2 x 39	2 x 68
lateral stand	kg	2 x 99	2 x 99
trolley	kg	17	17
horizontal adjuster	kg	23	23
beam mountings	kg	10	10

* with larger profile thickness (inwards)

Please find an overview of this Aluminium Gantry Crane on page 47.



Aluminium Gantry Cranes, movable under load, with double beam, **load capacity 2,000 kg, high**



with collapsible lateral stands
incl. top-mounted park-brake trolley
incl. integrated horizontal adjuster
incl. beam mountings

Accessories

- ▣ Wall Bracketpage 78
- ▣ Crane Transporterpage 80
- ▣ Chain Hoistpage 81
- ▣ Electric Chain Hoistpage 82
- ▣ Cable System / Power Supplypage 83
- ▣ Manual Trolley Direction Band ...page 84
- ▣ Hand Winchpage 84
- ▣ Packing and Transportation
Boxpage 86

Alternatives

- ▣ separable resp. pluggable
Aluminium Double Beampage 54

Technical Data

item no.		14602040	14602050	14602060	14602070	14602080
load capacity	kg	2,000	2,000	2,000	2,000	2,000
beam length	mm	4,000	5,000	6,000	7,000	8,000
beam support	mm	81 x 81	81 x 81	81 x 81	81 x 81	81 x 81
beam profile	mm	220 x 60	220 x 60	220 x 60	220 x 60	220 x 60*
beam housing		one side: other side:	sleeve 92 x 92 mm, 380 mm long; with connection for brace; end piece			
clear width alu beam	mm	250	250	250	250	250
total weight	kg	348	366	384	402	484
aluminium beam	kg	2 x 39	2 x 48	2 x 57	2 x 66	2 x 107
lateral stand	kg	2 x 110	2 x 110	2 x 110	2 x 110	2 x 110
trolley	kg	17	17	17	17	17
horizontal adjuster	kg	23	23	23	23	23
beam mountings	kg	10	10	10	10	10

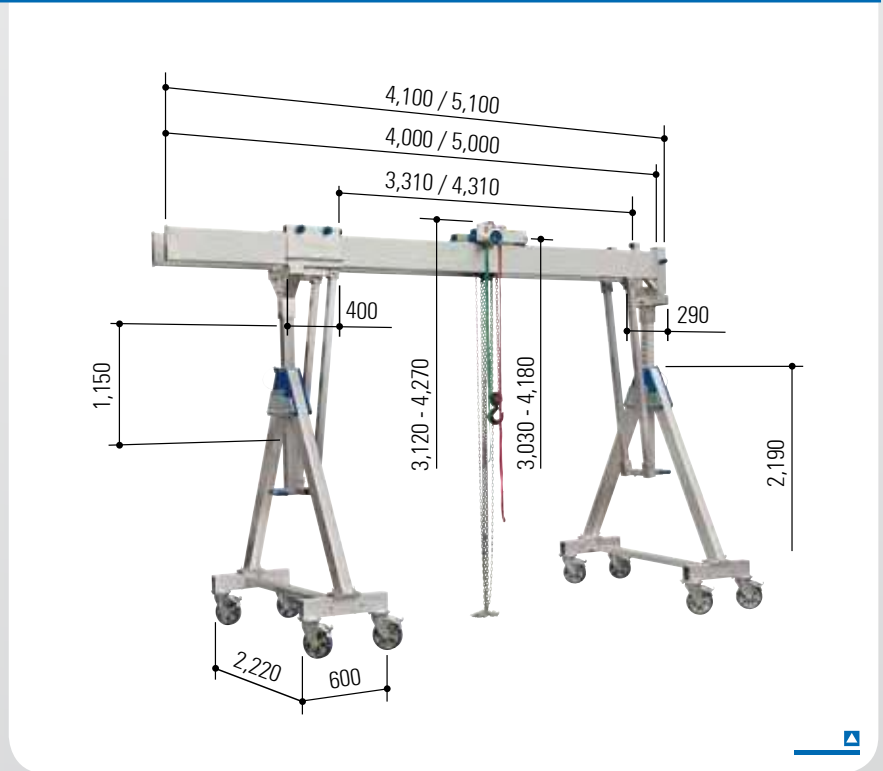
* with larger profile thickness (inwards)

Please find an overview of this Aluminium Gantry Crane on page 47.



Aluminium Gantry Cranes, movable under load, with double beam, **load capacity 3,000 kg, high**

with collapsible lateral stands
incl. top-mounted park-brake trolley
incl. integrated horizontal adjuster
incl. beam mountings



Alternatives

- ▣ separable resp. pluggable Aluminium Double Beampage 54

Accessories

- ▣ Wall Bracketpage 78
- ▣ Crane Transporterpage 80
- ▣ Chain Hoistpage 81
- ▣ Electric Chain Hoistpage 82
- ▣ Cable System / Power Supply ...page 83
- ▣ Manual Trolley Direction Band ...page 84
- ▣ Hand Winchpage 84
- ▣ Packing and Transportation Boxpage 86

Technical Data

item no.		14603040	14603050
load capacity	kg	3,000	3,000
beam length	mm	4,000	5,000
beam support	mm	81 x 81	81 x 81
beam profile	mm	220 x 60	220 x 60*
beam housing		one side: sleeve 92 x 92 mm, 380 mm long; with connection for brace; other side: end piece	
clear width alu beam	mm	250	250
total weight	kg	348	406
aluminium beam	kg	2 x 39	2 x 68
lateral stand	kg	2 x 110	2 x 110
trolley	kg	17	17
horizontal adjuster	kg	23	23
beam mountings	kg	10	10

* with larger profile thickness (inwards)

Please find an overview of this Aluminium Gantry Crane on page 47.



separable resp. pluggable Aluminium Double Beam



Picture: Aluminium Gantry Crane, stationary model, with single beam



The Item number consists of:

New Aluminium Gantry Crane: Item number of the standard crane (compare pages 46 to 53) **-10**

Examples:

- Aluminium Gantry Crane, movable under load, with double beam, medium, load capacity 2,000 kg
- ▣ with 'Standard' Aluminium Beam, beam length 4,000 mm: item no. 14502040
- ▣ with 'separable resp. pluggable' Aluminium Double Beam, beam length 4,000 mm: item no. 14502040-10

The separable resp. pluggable Aluminium Double Beam!

This latest addition is a consequence of further development of our extensive assortment of Cranes and Accessories. Through our own aspirations in optimisation we now bring you – the separable resp. pluggable Aluminium Double Beam.

An innovation for our customers

Through your wishes for speed, innovation and optimisation and further more high-end quality products we want to inspire you.

As we are able to offer our aluminium lateral stands with the alternative of being collapsible, we have now taken the longest and most cumbersome part in our delivery programme and enabled it to be separable resp. pluggable Aluminium Double Beam.

One of the two separated beam pieces can also be used as individual Aluminium Double Beam as well.

Save even more space

- ▣ Purchase a complete Aluminium Gantry Crane including the separable resp. pluggable Aluminium Double Beam.
- ▣ Upgrade your already existing Aluminium Gantry Crane.

This separable resp. pluggable Aluminium Double Beam is suitable for Aluminium Gantry Cranes detailed on pages 46 to 53.



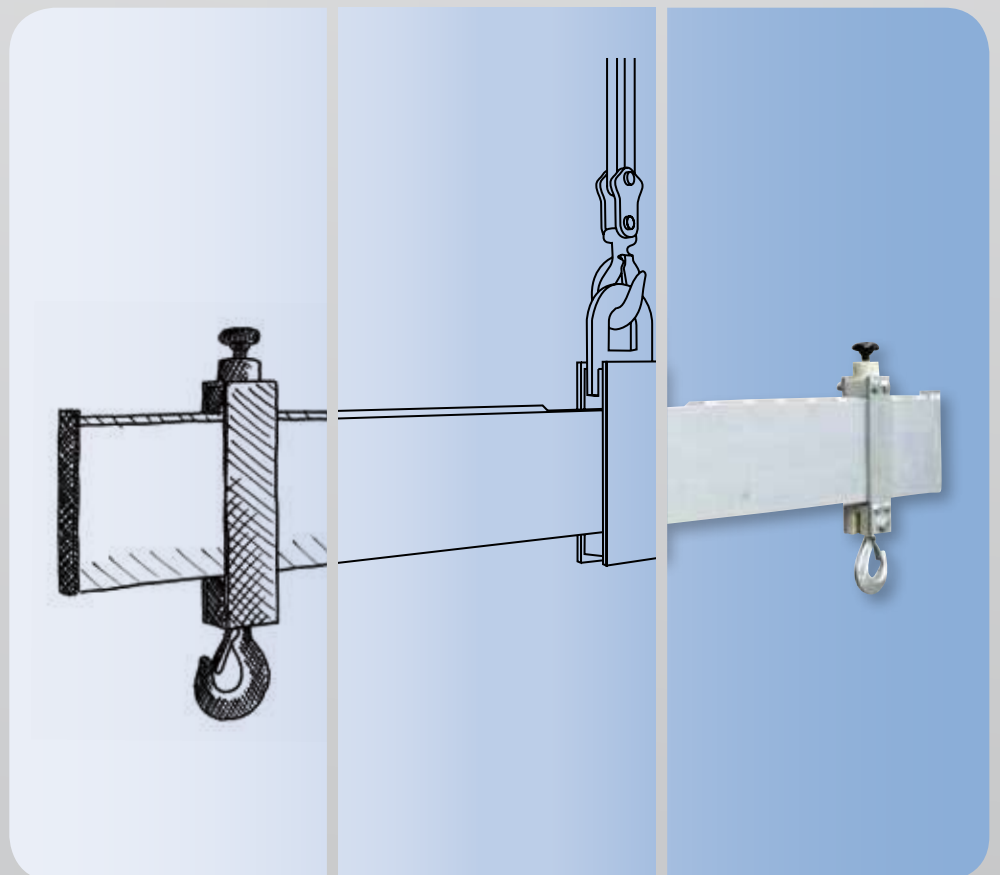








Various Lifting Equipment





Aluminium Tripod Crane

Item No. 1621000

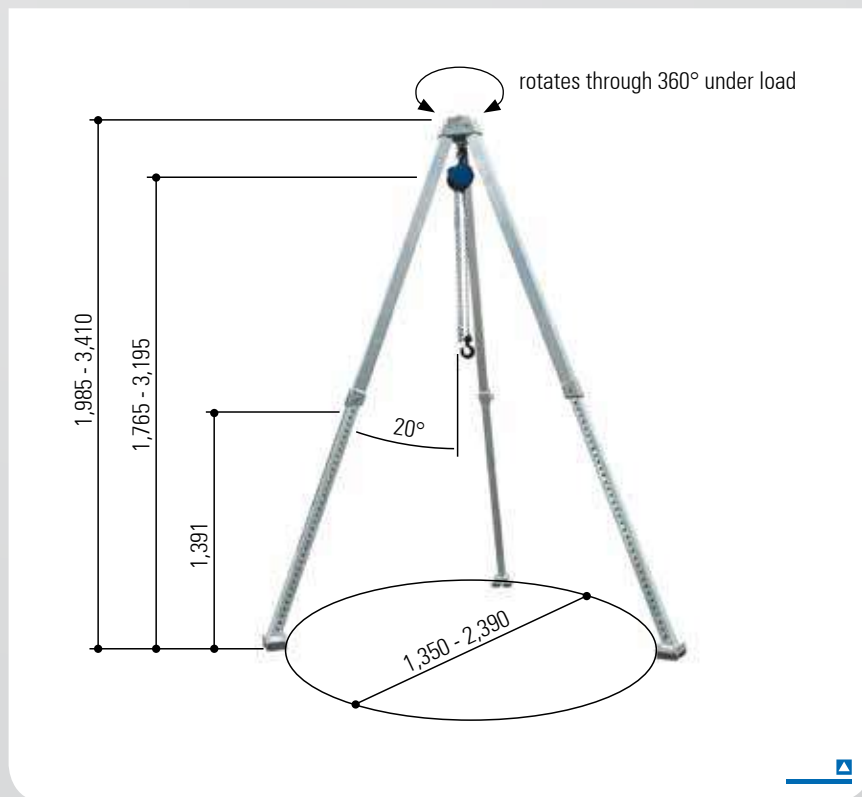


Technical Data

load capacity 1,000 kg
weight 54 kg

Description

- The ringbolt rotates through 360° under load.
- Greater adjusting range due to telescopic legs.
- Collapsible.
Total length approx. 2,000 mm.
Diameter approx. 450 mm (e.g. for transportation).
- Feet are fitted with non-slip rubber-metal linings.
- Stability guaranteed.
- Is designed for lifting loads especially in places that are hard to reach with conventional devices.



Accessories

- ▣ Chain Hoist page 81



Item No. 1621001

Aluminium Tripod Crane with hand winch

Technical Data

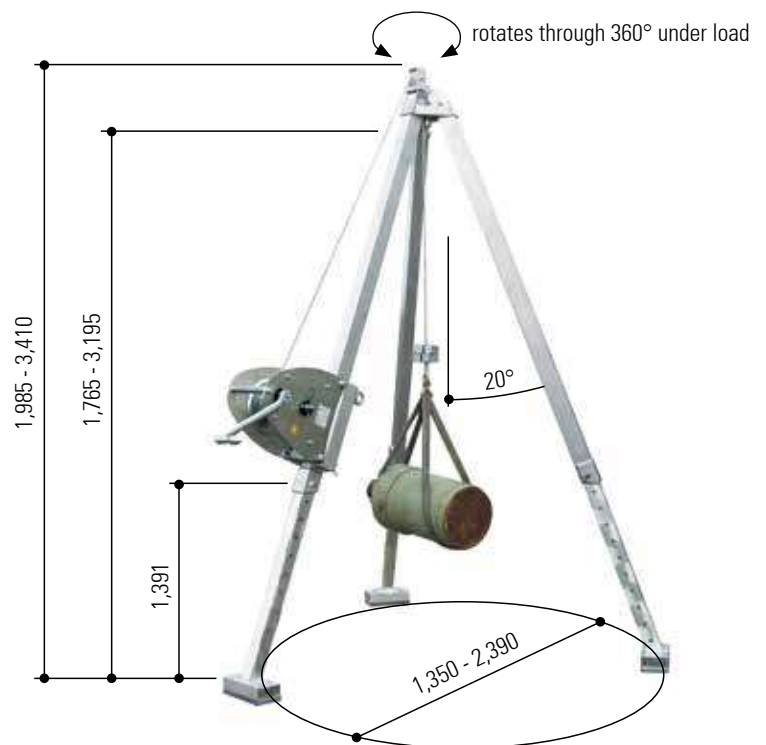
load capacity 1,000 kg
weight 74 kg
cable diameter 7 mm
cable length 25 m
travel per rotation
(depending on
remaining cable) 23 - 57 mm

Description

- The ringbolt rotates through 360° under load.
- Greater adjusting range due to telescopic legs.
- Collapsible.
Total length approx. 2,200 mm.
Diameter approx. 600 mm (e.g. for transportation).
- Feet are fitted with non-slip rubber-metal linings.
- Stability guaranteed.
- Is designed for lifting loads especially in places that are hard to reach with conventional devices.
- The winch with crank is equipped with a drum direct-gear allowing to quickly wind up and off the unstressed cable (with integrated safety load hook).
- The winch can be flange-mounted at any height on the Aluminium Tripod Crane.
- The load can be hooked to the safety lifting hook of the cable as well as directly onto the ringbolt.

Accessories

- ▣ Chain Hoist page 81





Aluminium Tripod Crane with electric cable winch

Item No. 1621002



Technical Data

load capacity 1.000 kg
(first layer)
suspension point at ringbolt
approx. 2,415 mm - approx. 3,195 mm
weight 160 kg

Description

- The ringbolt rotates through 360° under load (e.g. if used with a chain hoist).
- Greater adjusting range due to telescopic legs.
- Collapsible.
Total length (e.g. for transportation) approx. 3,000 mm.
- Feet are fitted with non-slip rubber-metal linings.
- Incl. mounting bracket for electric cable winch.
 - Due to the own weight of the winch (approx. 80 kg) it will be mounted onto one of the 3 telescopic legs. Otherwise stability can't be guaranteed.
- With wheel kit and double handle.
 - Therewith the complete Aluminium Tripod with mounted electric cable winch can be easily moved to the working area and positioned.
- 2 rubber buffers are integrated on the wheel kit.
 - Those are for protection of the flooring.
- With lashing strap.
 - Holds the three legs for transportation.

Electric Cable Winch

- wire rope hoist ability:
first layer 1,000 kg
last layer 780 kg
- rotary current 400 V, 50 Hz
- incl. phase inverter CEE-16A plug and socket device, 5-pin
- maintenance-free ball bearings
- power train group 1 Bm
- protection class IP 54
- with rope
rope diameter 8mm, rope length 30m
- with lift and lower limiter

- The compact electric cable winch is a robust and sophisticated cable winch for every purpose.
- Due to their special motor arrangement the cable can theoretically run in any direction.

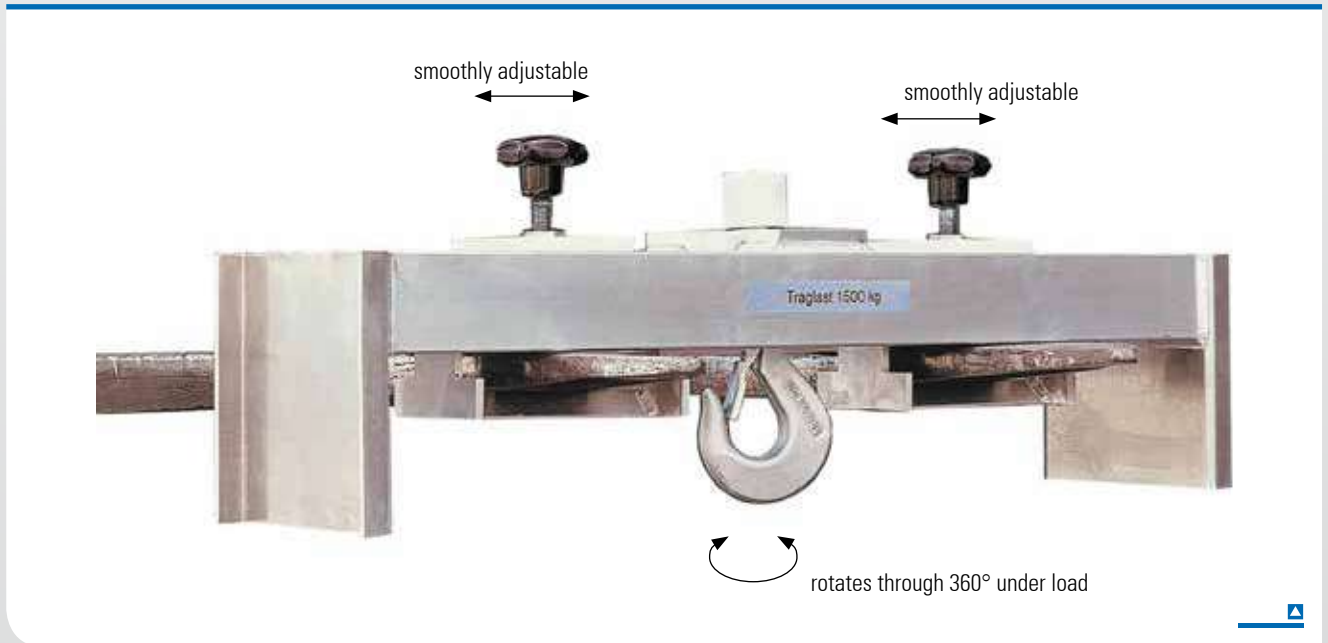
With this version the user has the possibility to use the device as standard product as well as Aluminium Tripod in combination with cable. This is a definite added value for the user.

Accessories

▣ Chain Hoist page 81



Aluminium Fork Mounted Hook



Aluminium Fork Mounted Hook with clamp (not included in delivery)

Description

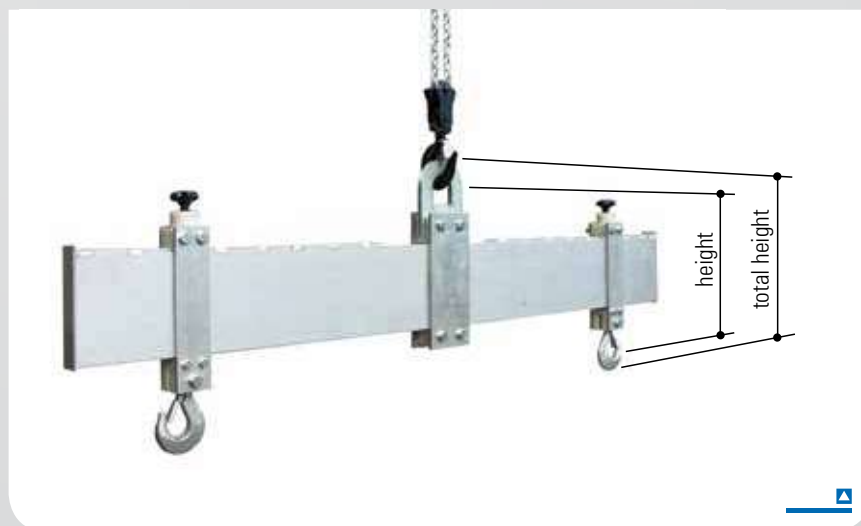
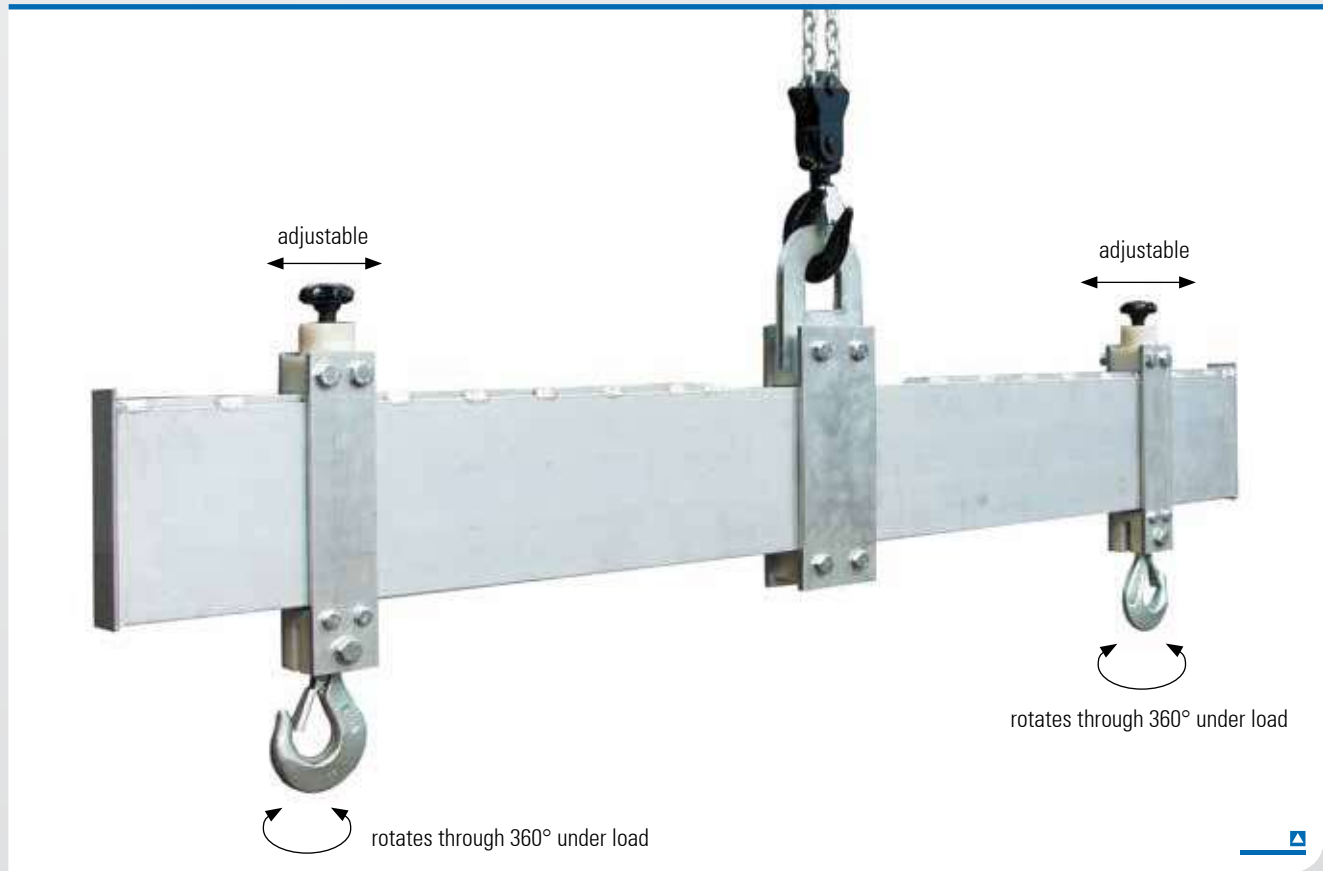
- Load hook (with thrust bearing) rotates through 360° under load.
- Smoothly adjustable up to a maximum fork profile of 240 x 115 mm.
- This Aluminium Fork Mounted Hook will fit almost all fork teeth.

Technical Data

item number.		51150	51300	51630
load capacity	kg	1,500	3,000	6,300
max. fork profile	mm	240 x 115	240 x 115	240 x 115
max. fork external dimension	mm	880	880	880
total weight	kg	30	30	70



Aluminium Cross Beam



Description

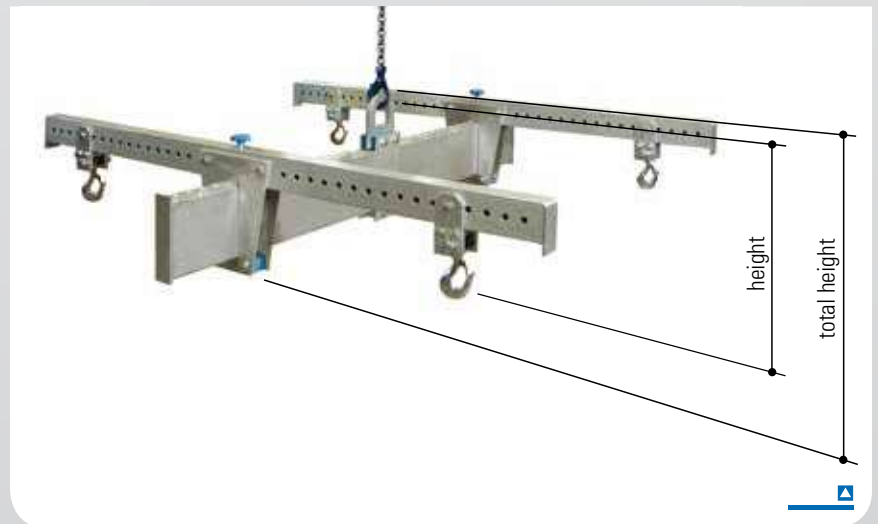
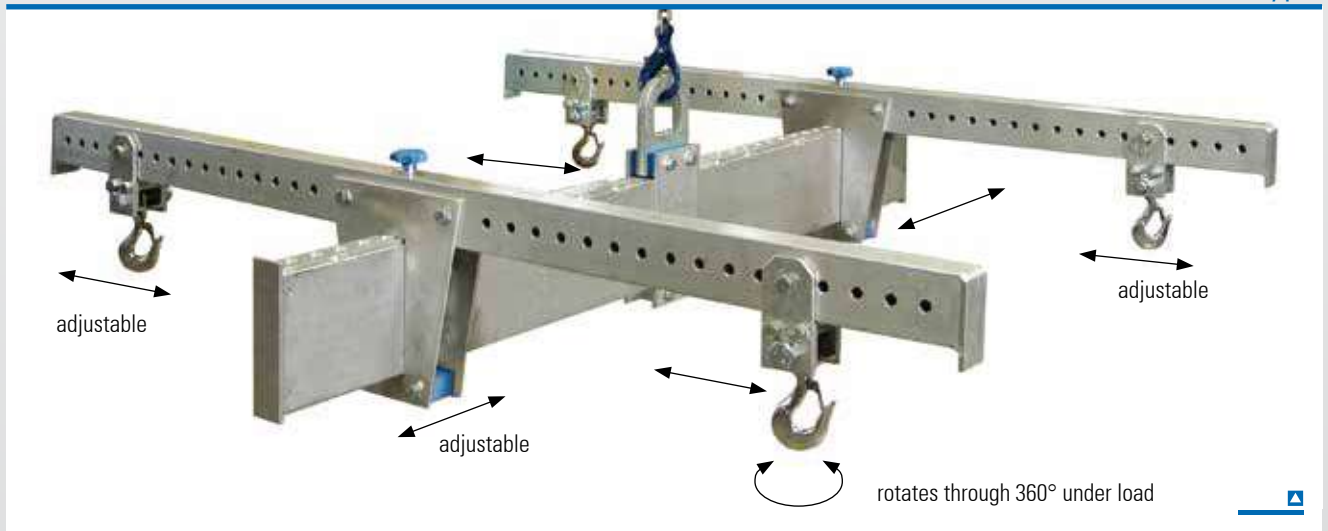
- With 2 laterally adjustable snap safety load hooks, rotatable through 360° under load.
- With Cross Beam suspension for crane hook.
- Quick-snap system on top of the load hooks permits fast setting and adjustment of the load hooks using the grid dimension of 50 mm.
- All parts are made of aluminium or very high-quality plastics (except for bolts and suspension hooks).

Technical Data

item number		521020	521030	521040	521050	522020	522030	522040	523020	523030
load capacity	kg	1.000	1.000	1.000	1.000	2.000	2.000	2.000	3.000	3.000
working width	mm	420-2,000	420-3,000	420-4,000	420-5,000	420-2,000	420-3,000	420-4,000	420-2,000	420-3,000
height	mm	570	570	570	570	570	570	570	570	570
total height	mm	630	630	630	630	630	630	630	630	630
total weight	kg	45	58	71	84	45	58	71	45	58



Aluminium Cross Beam „H” type



Description

- With four adjustable snap safety load hooks, rotatable through 360° under load.
- With Cross Beam suspension for crane hook.
- Quick-snap system on top of the load hooks permits fast setting and adjustment of the load hooks on the main as well as crosswise beams using the grid dimension of 50 mm.
- All parts are made of aluminium or very high-quality plastics (except for bolts and suspension hooks).
- Both crosswise beams are detachable from the main beam.

Technical Data

item number		53102020	53103020	53104020	53105020	53202020	53203020	53302020
load capacity	kg	1,000	1,000	1,000	1,000	2,000	2,000	3,000
working width main beam	mm	420-2,000	420-3,000	420-4,000	420-5,000	420-2,000	420-3,000	420-2,000
working width crosswise beam	mm	400-2,000	400-2,000	400-2,000	400-2,000	400-2,000	400-2,000	400-2,000
height	mm	330	330	330	330	330	330	330
total height	mm	470	470	470	470	470	470	470
total weight	kg	76	89	102	115	76	89	76



Aluminium Cross Beam for big-bag



Technical Data

item number		54101010	54201010
load capacity	kg	1,000	2,000
total height	mm	425	425
height	mm	150 / 270	150 / 270
external measurement	mm	1,080 x 1,080	1,080 x 1,080
working width	mm	1,000 x 1,000	1,000 x 1,000
total weight	kg	45	45

Description

- With Cross Beam Suspension for crane hook.
- With 2 suspensions for stacker prongs
 - smoothly movable
 - smoothly adjustable up to a maximum fork profile of 240 x 115 mm.
- With 4-point-suspension (front-end)
 - For hook the loops of the big-bag.



Aluminium Slewing Crane

Technical Data

- Suspension point at the bolt of the Trolley 3,000 mm.
- For indoor and outdoor use.
- Rotates trough 360°.
- With lock detent / brake unit (Concept: similar to drum brake mechanism).
- Height of Slewing Crane:
 - total height 3,380 mm
 - column height 3,000 mm
- Boom arm:
 - total length 2,000 mm
- The Aluminium Slewing Crane is demountable into 5 pieces:
 - column
 - boom arm
 - support profile, incl. brake unit
 - brace
 - trolley, incl. manual trolley direction band
 and can be easily mounted by at least two persons.
- The Aluminium Slewing Crane can be mounted respectively pegged directly onto the ground or flange-mounted onto the bracket (item no. 23010).



load capacity 250 kg
weight 130 kg

Item No. 5600253020

load capacity 500 kg
weight 130 kg

Item No. 5600503020

Item No. 23010

Bracket for Aluminium Slewing Crane

Description

- Suitable for Aluminium Slewing Crane with 250 kg and 500 kg.
- For indoor and outdoor use.
- Flange-mounted onto Aluminium Slewing Crane
- For fixation onto wall e.g. concrete.



Picture: Aluminium Slewing Crane with bracket

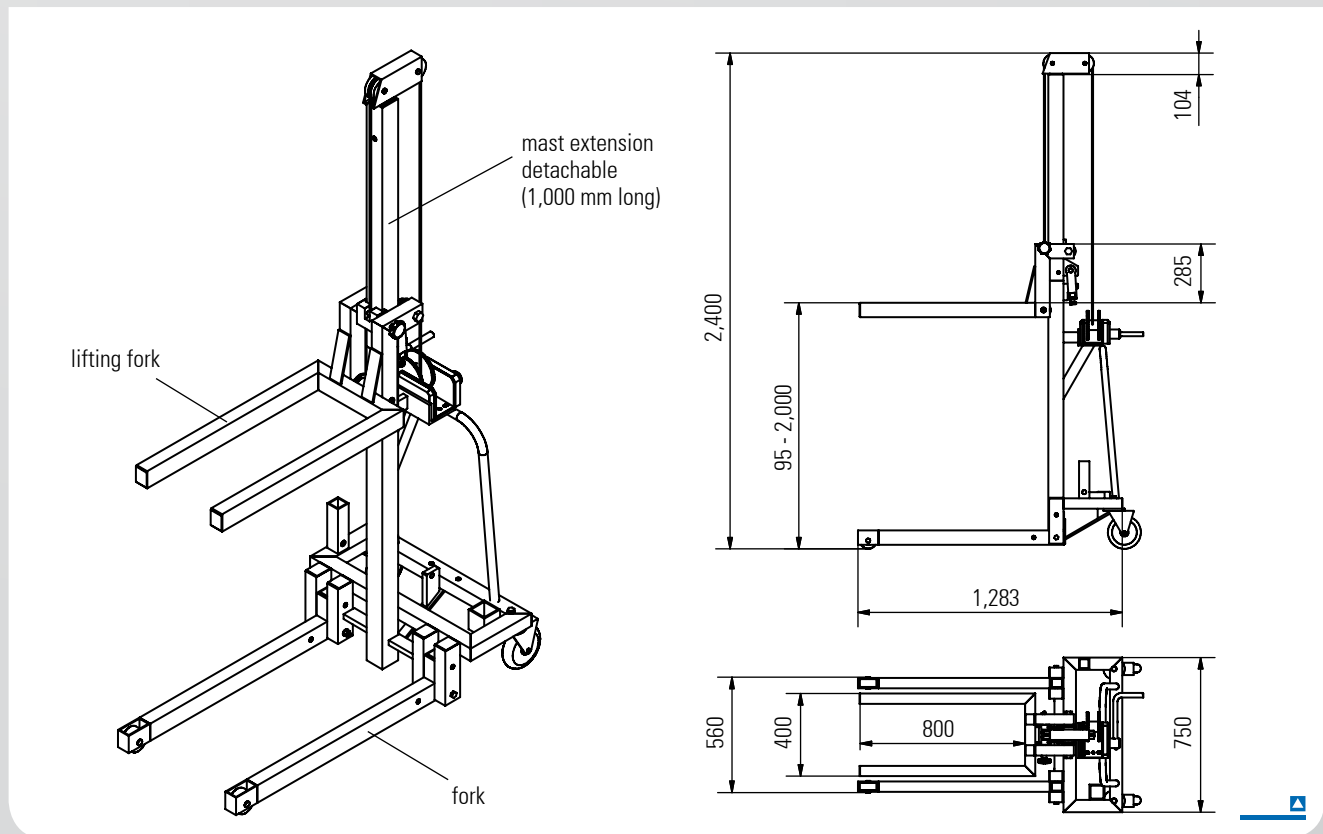
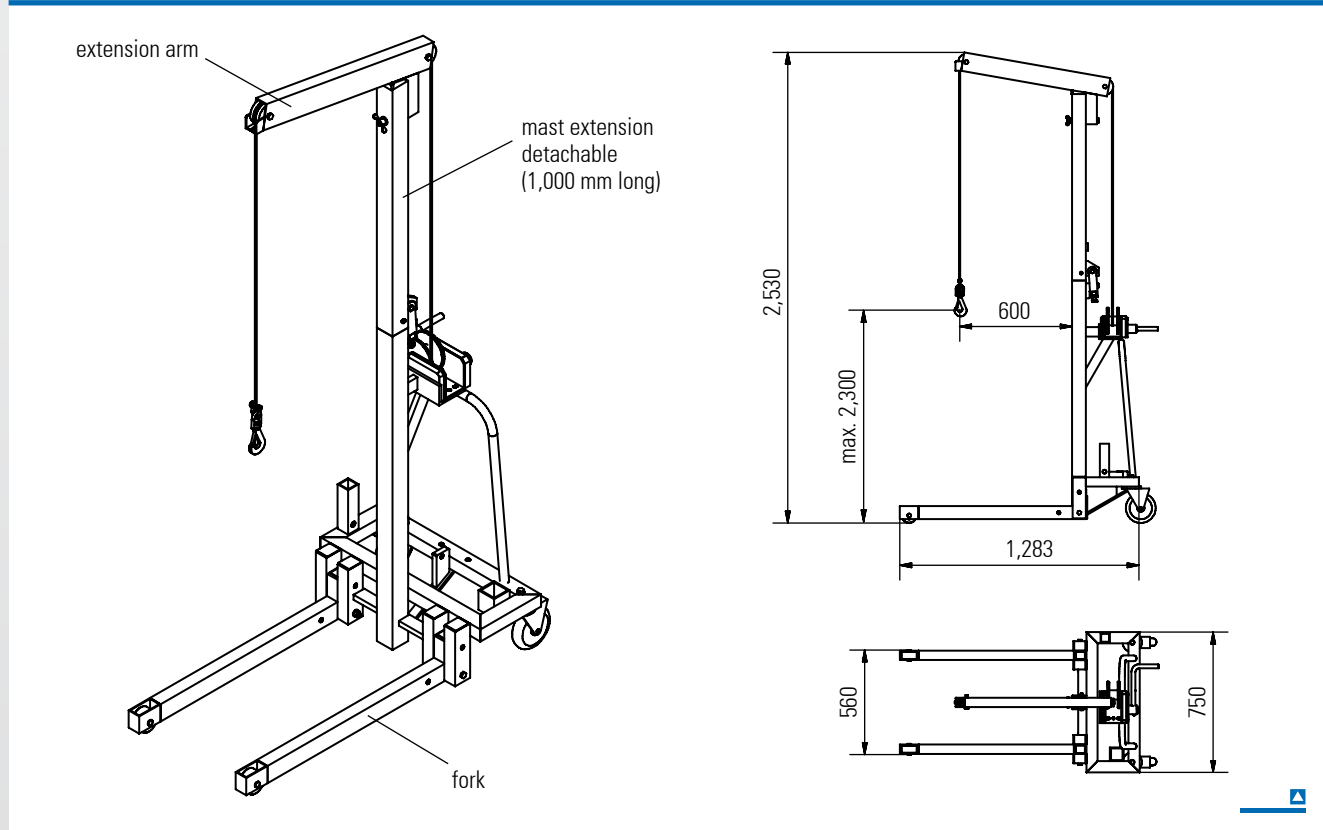


Picture: Aluminium Slewing Crane and bracket demounted



Aluminium Multilift

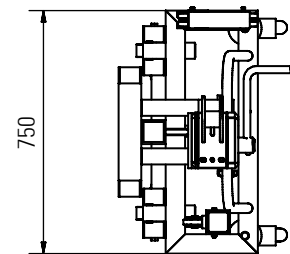
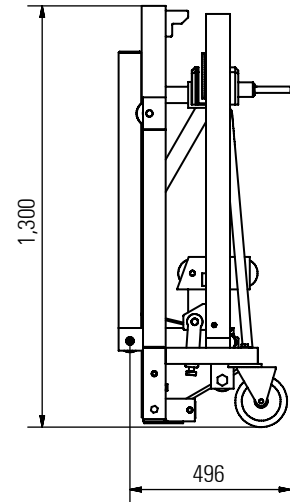
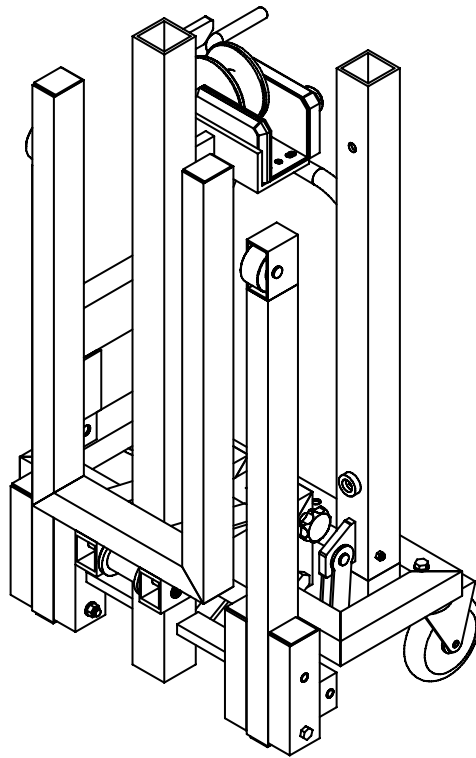
Item No. 6110250





Item No. 6110250

Aluminium Multilift



Technical Data

load capacity 250 kg
 own weight 70 kg
 base fork width 560 mm
 fork height 95 mm
 (measurement floor to top side of forks)

with cable winch
 incl. anti-turn secured cable rope
 diameter 5 mm
 cable length 5,100 mm
 travel per rotation 50 mm
 one end pointed, one end with thimble

with 2 pieces heavy-duty tyres
 steel swivel casters
 with integrated wheel and live ring brake
 with super-elastic-solid rubber tyres
 diameter 160 mm
 These tyres are mounted to the base frame.

with 2 pieces guide roller resp. fork
 caster made of high quality plastic
 diameter 80 mm
 These casters are mounted to the fork.

extension mast is detachable
 (1,000 mm)

Version with extension arm:
 reach 600 mm
 travel of hook 2,300 mm
 with safety snap hooks made of stainless steel (whirl hook)
 rotates through 360° under load

Version with lifting fork:
 lifting height 95 - 2,000 mm
 fork width 400 mm
 fork length 800 mm

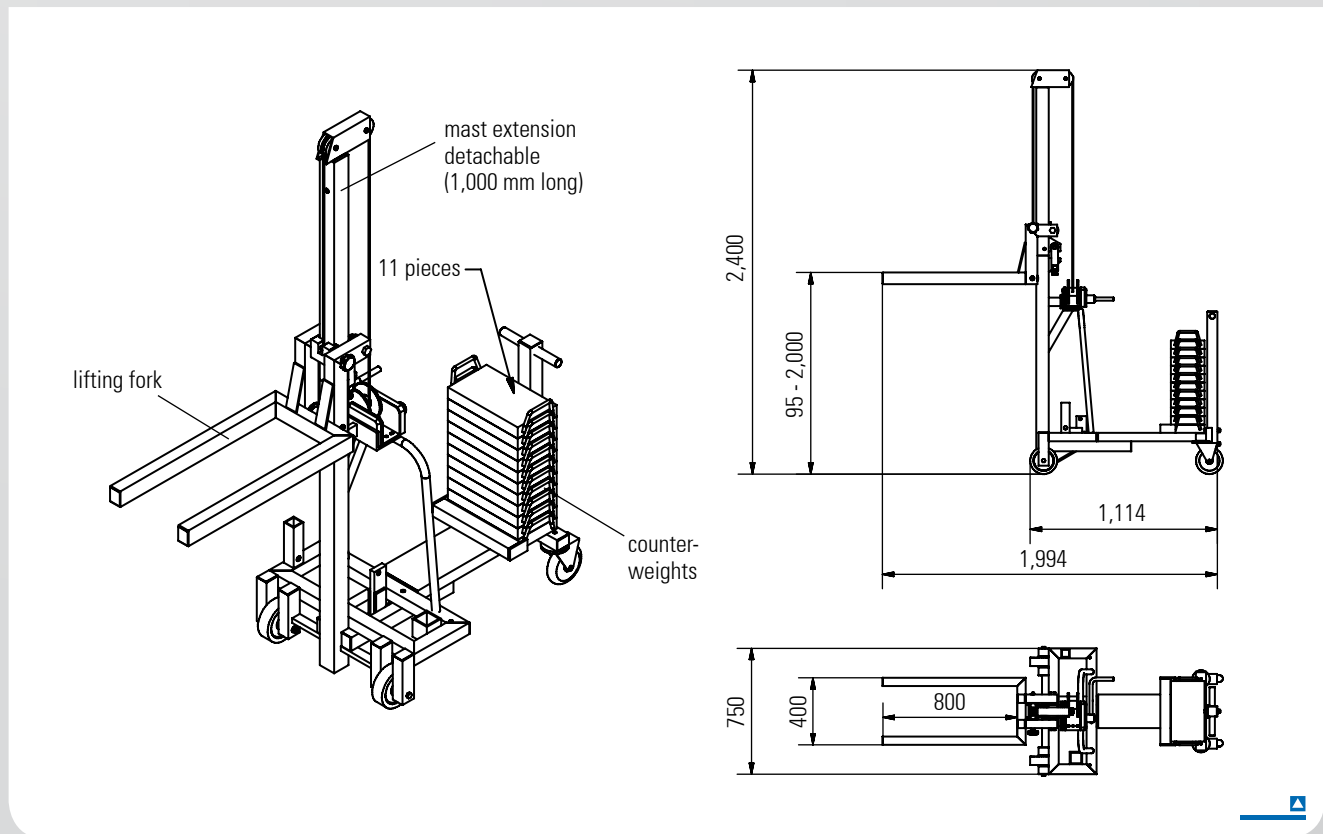
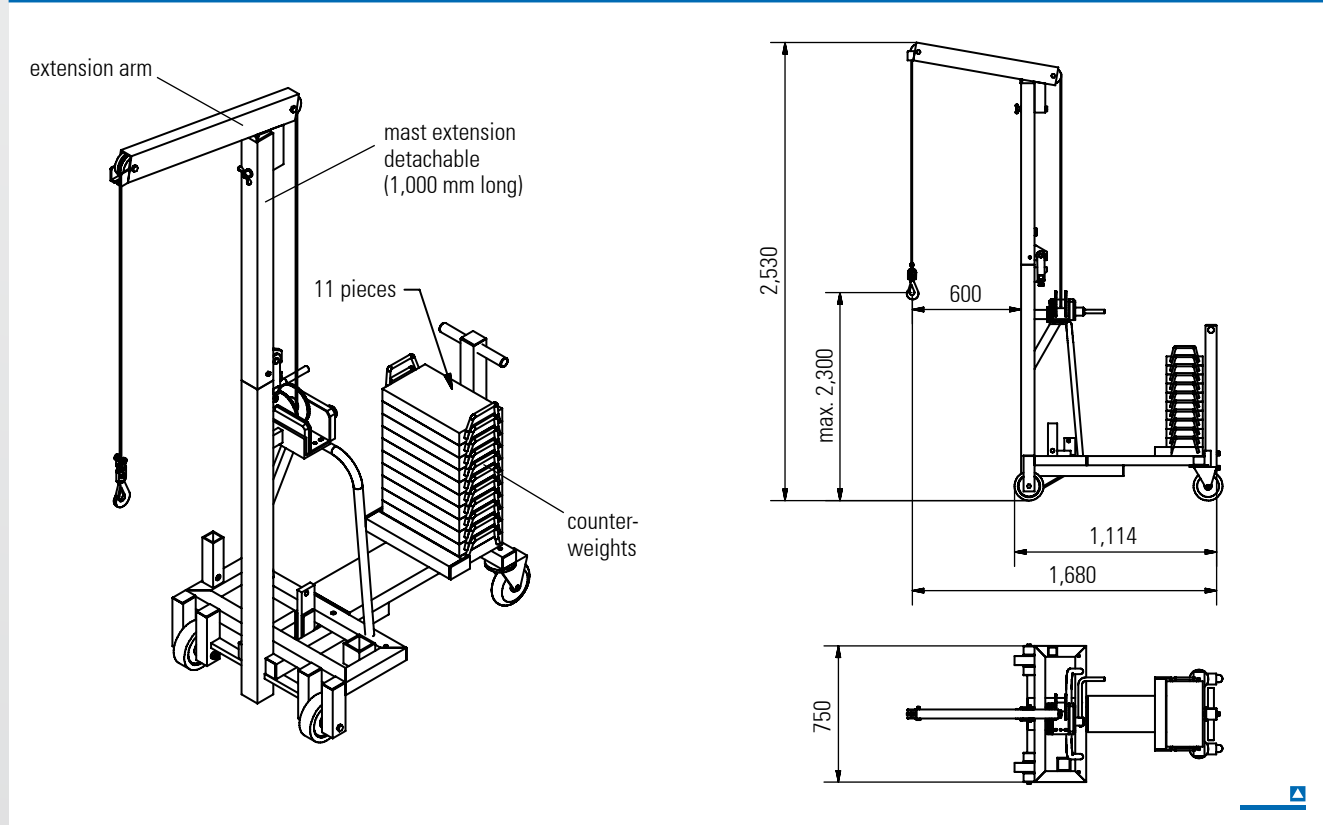
Description

- Delivery contents:
 including extension arm
 including lifting fork
- The Aluminium Multilift has been especially developed for companies that are in need of a mobile lifting device.
- The lifting operation is performed by a cable winch.
- The lift's mast can be divided.
- The Aluminium Multilift can be folded completely with a minimum of effort and space saving stored.
- It can be effortlessly transported in a van.
- It is suitable for use with standard wooden pallets as well as mesh-cages and stillage's.



Aluminium Multilift with counterweight

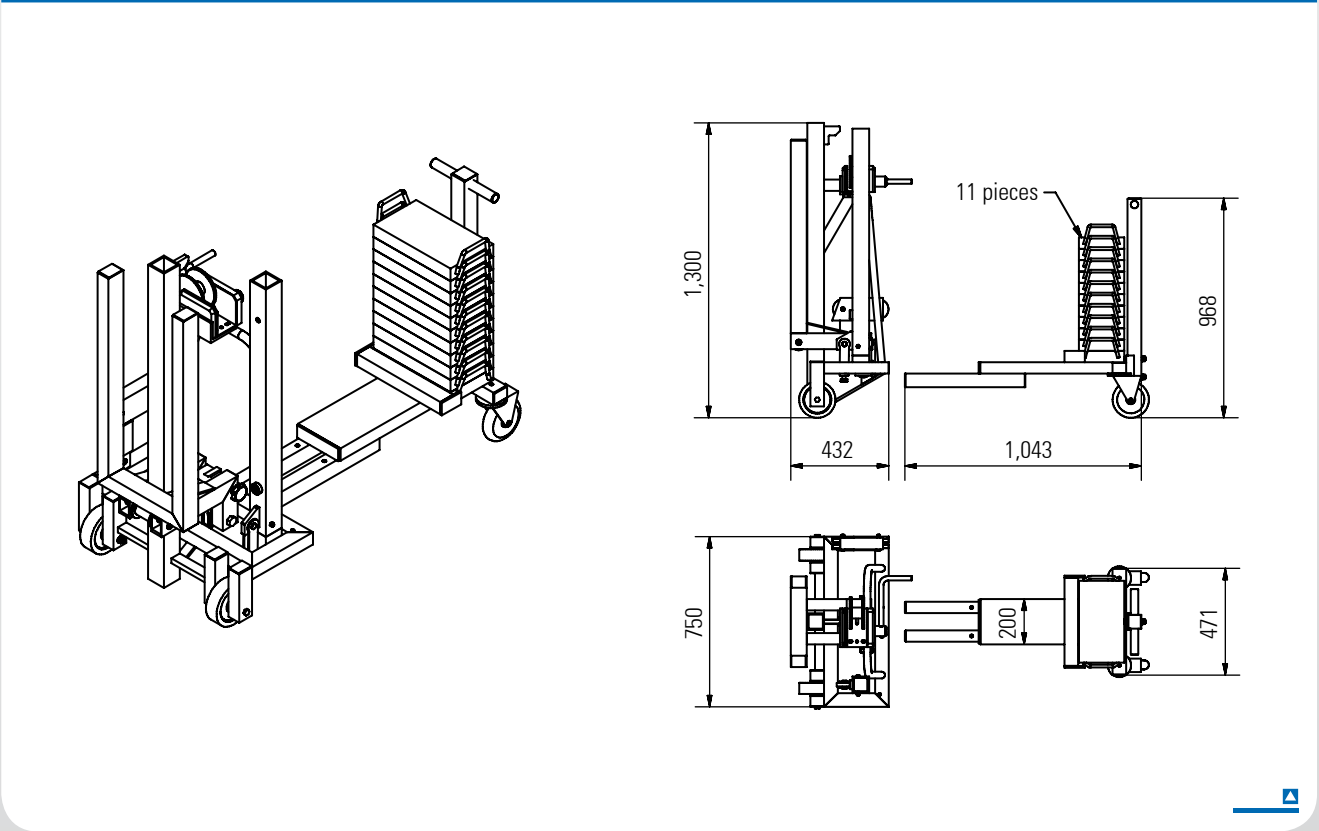
Item No. 6120250





Item No. 6120250

Aluminium Multilift with counterweight



Technical Data

load capacity 250 kg
own weight 400 kg

with cable winch
incl. anti-turn secured cable rope
diameter 5 mm
cable length 5,100 mm
travel per rotation 50 mm
one end pointed, one end with thimble

with 2 pieces heavy-duty tyres
with super-elastic-solid rubber
tyres
diameter 160 mm
These tyres are mounted to the base
frame.

with 2 pieces heavy-duty tyres
steel swivel casters
with integrated wheel and live
ring brake
with super-elastic-solid rubber
tyres
diameter 160 mm
These tyres are mounted to the add-on
part.

extension mast is detachable
(1,000 mm)

Version with extension arm:
reach 600 mm
travel of hook 2,300 mm
with safety snap hooks made of stain-
less steel (whirl hook)
rotates through 360° under load

Version with lifting fork:
lifting height 95 - 2,000 mm
fork width 400 mm
fork length 800 mm

Description

- Delivery contents:
including extension arm
including lifting fork
- The Aluminium Multilift has been
especially developed for companies
that are in need of a mobile lifting
device.
- The lifting operation is performed by a
cable winch.
- The lift's mast can be divided.
- The counterweights are provided with
a safety device to prevent inadvertent
removal.
- The Aluminium Multilift can be folded
completely with a minimum of effort
and space saving stored.
- It is possible to remove the add-on
part (incl. 11 counterweights) from the
Aluminium Multilift with four screw
connections.



Aluminium Custom-Made Multilifts: Examples and Varieties

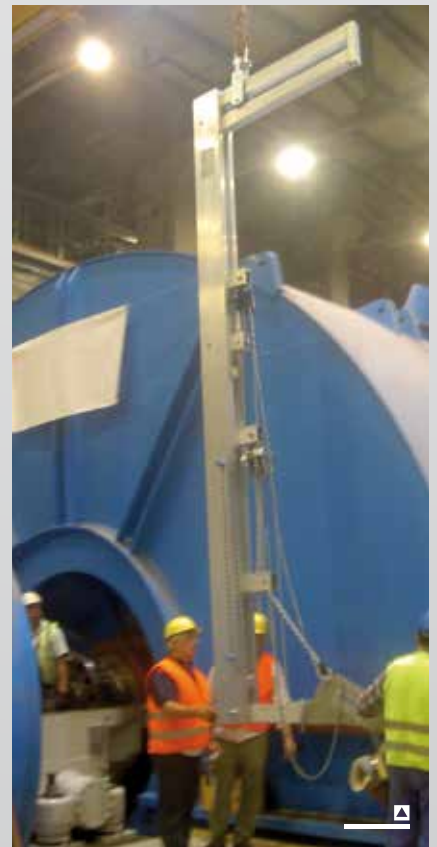




Aluminium Custom-Made Multilifts: Examples and Varieties



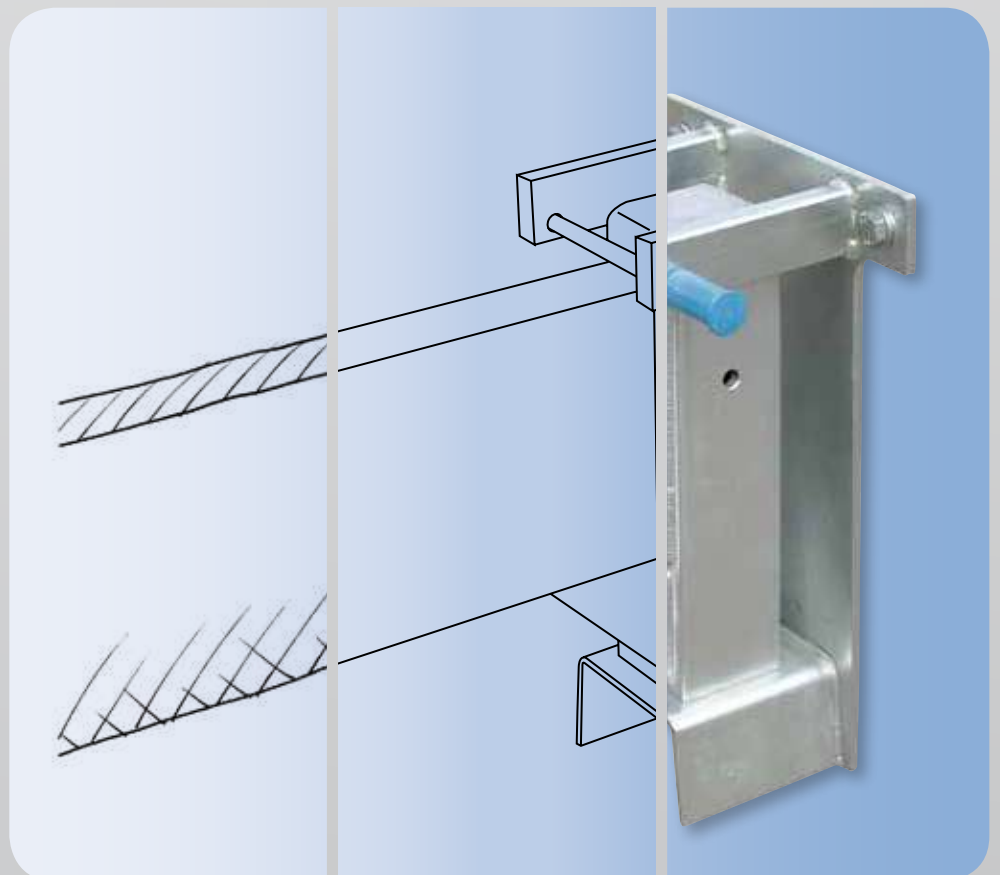








Accessories





Wall Bracket



For Aluminium Gantry Crane, load capacity 1,000 kg and 1,500 kg



Item No. 23001

for Aluminium Gantry Crane
collapsible: small, medium
weight 15 kg

Item No. 23002

for Aluminium Gantry Crane
collapsible: high
movable: small, medium, high
weight 15 kg

For Aluminium Gantry Crane with double beam, load capacity 1,000 kg, 1,500 kg, 2,000 kg and 3,000 kg



Item No. 23003

for Aluminium Gantry Crane
double beam
weight 35 kg

Description

- The Wall Bracket facilitates the attachment of the beam to a wall, thus increasing the Crane's range of application. Especially useful when Crane is used through windows or doors.
- The aluminium beam/aluminium double beam can be rotated through 180° (without load) on the Wall Bracket.



Wheel Kit for Aluminium Gantry Crane



with heavy-duty polyurethane lining

Item No. 24001

- For indoor moving and positioning of the Aluminium Gantry Crane without load.
- 4 steel swivel casters
- with integrated wheel and live ring brake
- own weight 70 kg

Attention:

- When using this Wheel Kit together with our Aluminium Gantry Cranes
 - the minimum suspension point at the bolt of the trolley is increased by 400 mm
 - the maximum suspension point at the bolt of the trolley is increased by 200 mm.
- The adjustment range of the Wheel Kit feet is 200 mm.



Item No. 24002

- For indoor and outdoor moving and positioning of the Aluminium Gantry Crane without load.
- 4 steel swivel casters
- heavy-duty tyres with groove profile
- with integrated wheel and live ring brake
- own weight 80 kg

Attention:

- When using this Wheel Kit together with our Aluminium Gantry Cranes
 - the minimum suspension point at the bolt of the trolley is increased by 440 mm
 - the maximum suspension point at the bolt of the trolley is increased by 240 mm.
- The adjustment range of the Wheel Kit feet is 200 mm.

with super-elastic-solid rubber tyres



Description

- Facilitates the moving of the assembled Aluminium Gantry Crane without load.
- The leg and fork construction permits the lateral stands to remain upright when assembling and disassembling.
- The unloaded Aluminium Gantry Crane can easily be moved to the working area.
- The Wheel Kit spares any mounting and dismantling work.
- The spring mounted guide rolls allow the lateral stands to rest directly on the feet when under load.
- The adjustment feet are individually height adjustable.
- 1 Wheel Kit = 4 "forks"



Crane Transporter for Aluminium Gantry Crane



Picture: Crane Transporter for Aluminium Gantry Crane stationary

For Aluminium Gantry Crane

stationary: small, medium
weight 34 kg

Item No. 26151

For Aluminium Gantry Crane

stationary: high
weight 34 kg

Item No. 26152

For Aluminium Gantry Crane

stationary: double beam small, medium
weight 37 kg

Item No. 26153

For Aluminium Gantry Crane

stationary: double beam, high, 2,000 kg
weight 35 kg

Item No. 26201

For Aluminium Gantry Crane

stationary: double beam, 3,000 kg
weight 42 kg

Item No. 26301

For Aluminium Gantry Crane

movable: small, medium, high
weight 14 kg

Item No. 26154

For Aluminium Gantry Crane

movable: double beam, 1,000 kg, 1,500 kg, 2,000 kg
weight 15 kg

Item No. 26202

For Aluminium Gantry Crane

movable: double beam, 3,000 kg
weight 16 kg

Item No. 26302

↳ **Packing and
Transportation Box
page 86**

Description

- For information:
- The casters of the Aluminium Gantry Crane will be used with Crane Transporter for type Aluminium Gantry Cranes movable under load.
- If the assembly site cannot be directly reached by vehicle, the easy handling of the Crane Transport makes it possible to transport the Aluminium Gantry Crane conveniently over distance.
- Where Crane is used adjacent to the site you can do without a vehicle altogether.
- The single parts of the Aluminium Gantry Crane can also be safely carried on the Crane Transporter.



For Aluminium Gantry Crane, load capacity 1,000 kg, small, medium

load capacity 1,000 kg
chain for 3 m lift
manual chain overall length 4.50 m
overall height 340 mm
transmission ratio 1:40
weight 15 kg

Item No. 25103-25998

To lift the load 1 m a travel of chain of 40 m is necessary.

For Aluminium Gantry Crane, load capacity 1,000 kg, high

load capacity 1,000 kg
chain for 4 m lift
manual chain overall length 6.50 m
overall height 340 mm
transmission ratio 1:40
weight 17 kg

Item No. 25104-25998

To lift the load 1 m a travel of chain of 40 m is necessary.

For Aluminium Gantry Crane, load capacity 1,500 kg, small, medium

load capacity 1,500 kg
chain for 3 m lift
manual chain overall length 4.50 m
overall height 430 mm
transmission ratio 1:51
weight 21 kg

Item No. 25153-25998

To lift the load 1 m a travel of chain of 51 m is necessary.

For Aluminium Gantry Crane, load capacity 1,500 kg, high

load capacity 1,500 kg
chain for 4 m lift
manual chain overall length 6.50 m
overall height 430 mm
transmission ratio 1:51
weight 23 kg

Item No. 25154-25998

To lift the load 1 m a travel of chain of 51 m is necessary.

For Aluminium Gantry Crane, load capacity 2,000 kg

load capacity 2,000 kg
chain for 4 m lift
manual chain overall length 6.50 m
overall height 490 mm
transmission ratio 1:79
weight 24 kg

Item No. 25204-25998

To lift the load 1 m a travel of chain of 79 m is necessary.

For Aluminium Gantry Crane, load capacity 3,000 kg

load capacity 3,000 kg
chain for 4 m lift
manual chain overall length 6.50 m
overall height 560 mm
transmission ratio 1:101
weight 34 kg

Item No. 25304-25998

To lift the load 1 m a travel of chain of 101 m is necessary.



Description

- Compact and light because of high-quality materials.
- Minimum weight, thus easy to hang up.
- Two-step spur gear.
- Self-lubricating slide bearings.
- Safe friction disk brake with asbestos-free brake disks.
- High-strength, galvanized round link chain according to DIN 5684.
- Ball-bearing load hook.
- The closed housing protects the drive and brake against dirt.
- All mechanical parts are made of high-quality steel.
- Load hook with integrated snap system.
- Incl. chain bag for Chain Hoist. The load chain is stored and kept in the chain bag. Therefore the chain can't cause scratch marks or damages. Also soiling by the oiled chain will be avoided.



Electric Chain Hoist



For Aluminium Gantry Crane, load capacity 1,000 kg, small, medium

load capacity 1,000 kg
length of chain under load 3 m
overall height 463 mm
weight 33 kg

Item No. 250103

For Aluminium Gantry Crane, load capacity 1,000 kg, high

load capacity 1,000 kg
length of chain under load 4 m
overall height 463 mm
weight 35 kg

Item No. 250104

For Aluminium Gantry Crane, load capacity 1,500 kg, small, medium

load capacity 1,500 kg
length of chain under load 3 m
overall height 570 mm
weight 54 kg

Item No. 250153

For Aluminium Gantry Crane, load capacity 1,500 kg, high

load capacity 1,500 kg
length of chain under load 4 m
overall height 570 mm
weight 57 kg

Item No. 250154

For Aluminium Gantry Crane, load capacity 2,000 kg

load capacity 2,000 kg
length of chain under load 4 m
overall height 570 mm
weight 57 kg

Item No. 250204

For Aluminium Gantry Crane, load capacity 3,000 kg

load capacity 3,000 kg
length of chain under load 4 m
overall height 710 mm
weight 134 kg

Item No. 250304

Description

- version with suspension hook
- manufactured in accordance with EU-Machinery Directive and Equipment Safety Law
- Protection Class EN 60529: IP55
- Suitable for internal and exterior use. The Electric Chain Hoist is „splash-proof“.

- Lifting mechanism:
- ambient temperature rating -20 up to +40° C
 - lifting speed 1.00/4.00 m/min
 - lifting motor power 0.2/0.8 kW
 - duty cycle 20/40% ED
 - galvanised chain
 - fixed mounting

- Electrical:
- direct control
 - operation voltage 400 V
 - control voltage 48V
 - frequency (cycles) 50Hz
 - control unit including control cable
 - control unit protection class IP 55
 - Can also be delivered with radio control. Please contact us.



Cable System/Power Supply



Description

- The Aluminium Gantry Crane is delivered ready-to-use including all connectors.
- incl. test protocol of electrical devices according to DIN VDE 0701/0702, BetrSichV, BGV A 3 (issued by our Electrical-Master-Company)
- Power supply 400 V / 16 Amp. 50 Hz, 5-pole with switch (standard version).
- Phase inverter CEE-connector, 5-pole.
- PUR-Spiral cable.
- The electrical connection for the chain hoist is made using a plug and socket connection, 6-pole. (Protection class DIN EN 60 529 IP55).
- All electrical components are appropriate for internal and external operating conditions.

Attention:

While using the electrified Aluminium Gantry Crane in external condition it is important to ensure that it is connected to an electric circuit with an appropriate ground-fault-circuit-interrupter. Please also make sure that there is no water ingress at the electrical components while the Crane is not in use (risk of corrosion/functional disorders).

For all Aluminium Gantry Cranes with „single beam”

Item No. 2509998

For all Aluminium Gantry Cranes with „double beam”

Item No. 2509999

Upon request our Aluminium Gantry Cranes are also available with electrically movable trolley.
Please contact us.





Manual Trolley Direction Band



Manual Trolley Direction Band for Aluminium Gantry Crane – single beam

Item No. 19515000

Manual Trolley Direction Band for Aluminium Gantry Crane – double beam

Item No. 195015000

Description

- The length of the Manual Trolley Direction Band is dependent on the height of the Aluminium Gantry Crane as well as the beam length.
- With integrated clamping device on both ends of the band.
 - This component serves as weight sinker for the Manual Trolley Direction Band.
- With integrated clamping device
 - on both front ends of the aluminium beam (single beam)
 - on the beam mounting as well as on the horizontal adjuster (double beam).
- The manual trolley direction band thus receives the necessary tonicity so the area beneath the park-brake trolley is free.
- Allows the user to move the trolley on the aluminium beam/aluminium double beams while remaining outside of the hazardous area. This makes work much easier for the user.

Hand Winch for Aluminium Gantry Cranes

Item No. 259150



Description

- for height adjustment. (without hanging load)
- 1 set = 2 pieces (one Hand Winch per lateral stand)
- incl. anti-turn secured wire rope, diameter 7 mm
- The Aluminium Gantry Crane can be assembled at a low level.
- Then the desired working height is adjusted by using the Hand Winches.
- The Hand Winch must be operated on both sides.

Technical Data

height of lift per winch	
rotation	90 mm
weight	20 kg



Lateral Extension Beam



Lateral Extension Beam in combination with Aluminium Gantry Crane as well as slab clamp (not included in delivery).

Technical Data

Accessory for Aluminium Gantry Crane		collapsible: small	collapsible: small	collapsible: medium	collapsible: medium	collapsible: high	collapsible: high
item no.		1611520	1611530	1621520	1621530	1631520	1631530
load capacity	kg	1,000 / 1,500	1,000 / 1,500	1,000 / 1,500	1,000 / 1,500	1,000 / 1,500	1,000 / 1,500
cross beam	mm	2,000	3,000	2,000	3,000	2,000	3,000
adjusting range, inner	mm	1,000 - 1,600	1,000 - 2,600	1,000 - 1,600	1,000 - 2,600	1,000 - 1,600	1,000 - 2,600
total weight	mm	60	67	66	73	86	93
leg	kg	2 x 20	2 x 20	2 x 23	2 x 23	2 x 33	2 x 33
aluminium beam	kg	20	27	20	27	20	27

Description

- Accessory for our Aluminium Gantry Cranes.
- This item is used when standard lateral stands cannot be placed directly behind the load (e.g. gravestone is close to or in front of a wall).

Technical Data

Accessory for Aluminium Gantry Crane		2 t	2 t	3 t	3 t
item no.		1632020	1632030	1633020	1633030
load capacity	kg	2,000	2,000	3,000	3,000
cross beam	mm	2,000	3,000	2,000	3,000
adjusting range, inner	mm	1,000 - 1,600	1,000 - 2,600	1,000 - 1,600	1,000 - 2,600
total weight	mm	102	109	128	138
leg	kg	2 x 41	2 x 41	2 x 51	2 x 51
aluminium beam	kg	20	27	26	36



Packing and Transportation Box



Description

- incl. folding lid, with hinges
- with shackle to hook in a padlock
- with two flush-mounted handles on the lid
- with 6 steel casters
heavy-duty polyurethane lining with integrated caster and live ring brake
- The Packing and Transportation Box can be moved individually and without any tools.
The ground of the Packing and Transportation Box is strengthened so it can be lifted with a hand pallet truck or stacker, e.g. for loading onto a truck.
- The single components of the Aluminium Gantry Crane can be stored

systematically and completely, useful preserved as well as space saving transported.

- The user „on side“ always does have a complete Aluminium Gantry Crane System on hand.

The Packing and Transportation Box will be adapted to the particular Aluminium Gantry Crane (with accessories).

Technical Data

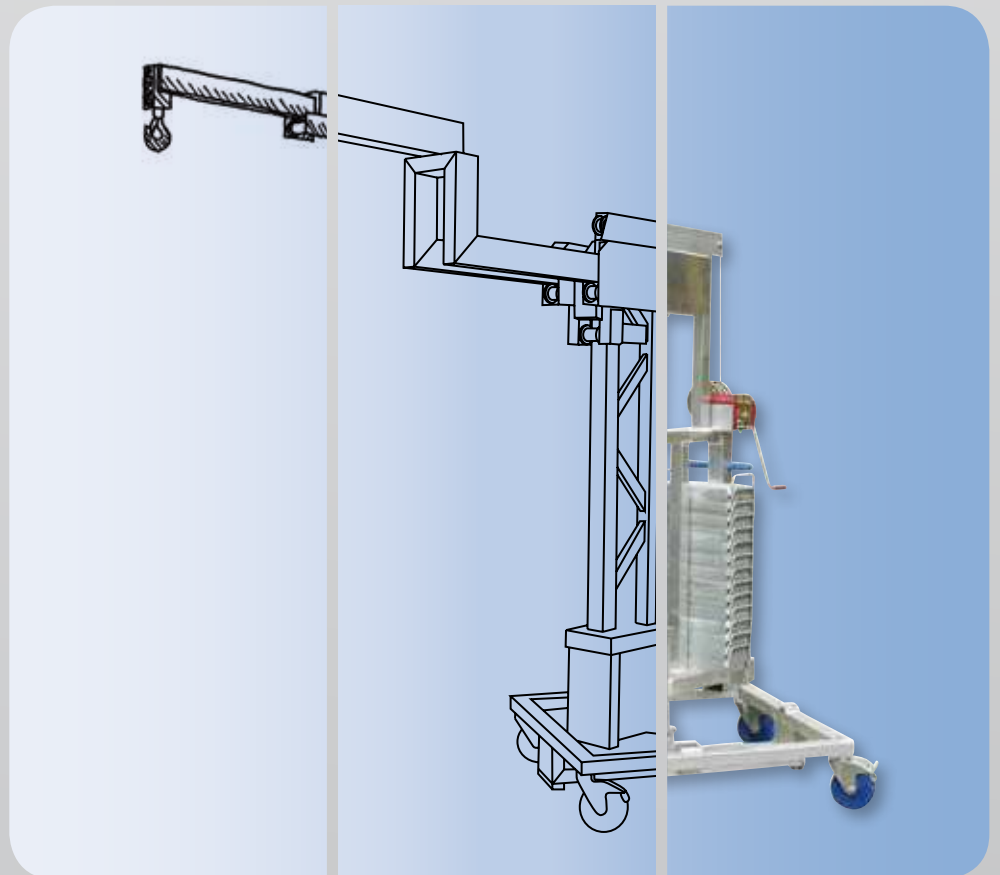
item no.		9870240068066	9870300068066	9870420068100
external measurements:				
length	mm	2,400	3,000	4,200
width	mm	685	685	685
height	mm	660	660	1,000
total height incl. casters	mm	860	860	1,200
weight	kg	80	95	180







Custom-Made Equipment





Aluminium Custom-Made Gantry Crane



Version "small"

Item No. 13191040

suspension point at
the bolt of the trolley .. 1,260-2,360 mm
beam length 4,000 mm

Version „medium“

Item No. 13291040

suspension point at
the bolt of the trolley .. 1,640-2,990 mm
beam length 4,000 mm

Version „high“

Item No. 13391040

suspension point at
the bolt of the trolley .. 2,320-4,020 mm
beam length 4,000 mm

Description

Aluminium Custom-Made Gantry Crane for maintenance work e.g. in pump stations, sewage treatment plants etc.

1. Protection of the worker using an antifall safety device.
2. Lifting and lowering the load using a chain hoist.
3. The use of the trolley allows to move the load (e.g. pump) on the main beam.

This Aluminium Custom-Made Gantry Crane is used to „secure“ a person. It must not be used to lift and lower a person.

This product is easy to dismount, can be easily transported in a vehicle and assembled and disassembled by two persons.

Due to the well thought system this Aluminium Custom-Made Gantry Crane can also be used for other purposes as standard device with a load capacity of 1,000 kg.



Aluminium Custom-Made Gantry Crane

Description

- Aluminium Gantry Crane with four, independent from each other, telescopic feet.
- Through various configurations of paper machines, difficulties arose with the walkway.
- With this variation of lateral stand a solution for this fiddly problem was found.



Aluminium Custom-Made Gantry Crane

Description

- This Aluminium Custom-Made Gantry Crane, movable under load, was made for the technology centre of a German elite university.
- Height adjustment of the beam supports is done with the help of hand winches.
- The four, independent from each other, telescopic feet were also equipped with the possibility of height adjustment.
- Thus the product can be optimally used in laboratories with low ceilings and also in rooms with high ceilings.
- Furthermore, the assembled Aluminium Custom-Made Gantry Crane can be moved through relatively narrow doorways or hallways.





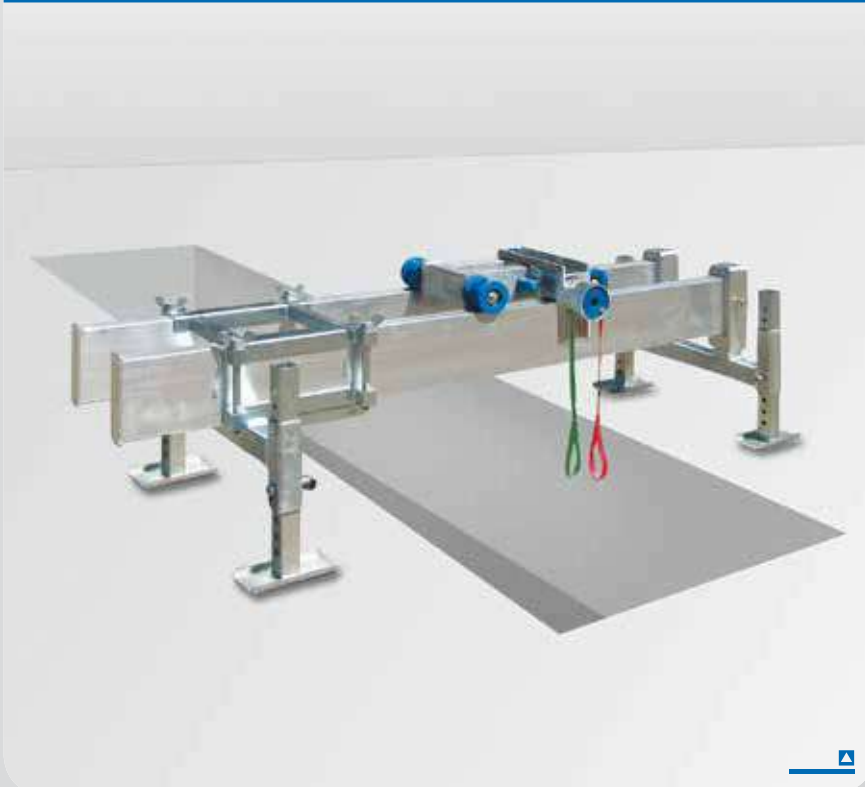
Aluminium Custom-Made Gantry Crane



Description

- Heavy lift Crane
- consisting of:
 - lateral stand (right) with fitted horizontal adjuster
 - lateral stand (left) with parallel legs
- A well known international lift and escalator firm uses this Aluminium Gantry Crane for the installation and maintenance of drive motors.
- In addition the load can be moved along the centre of the 6 meter beams using the trolley.

Aluminium Custom-Made Gantry Crane



Description

- For quarterly service work on a sewage water station.
- The available space was very limited so the adjustment was made by the grid dimension on the adjustment feet.



Aluminium Custom-Made Gantry Crane

Description

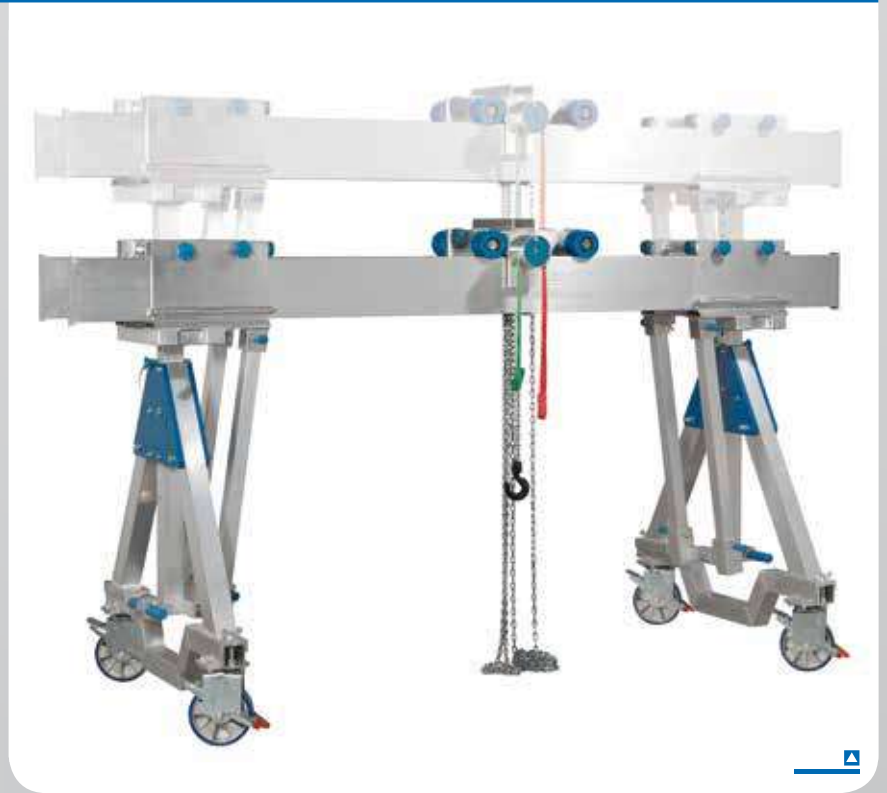
- Specially produced for an attic where the height was only 0.95 meters.
- A firm specialized in the drilling and sawing of concrete had removed ring-form segments in order to carry out the installation of tubes for the house utilities (electric/air conditioning/water).



Aluminium Custom-Made Gantry Crane

Description

- For this special design is emphasized that in its basic dimensions this relatively small Gantry Crane has a larger adjustment range through clever design sophistication.
- The chain hoist is completely between the two aluminium beams.
- Through the top-mounted trolley a maximum lifting height up to the lower edge of the aluminium double beam is achieved.





Aluminium Custom-Made Gantry Crane



Description

- A special Aluminium Gantry Crane for the installation of computer systems with a maximum height of 4.80 meters.
- This height was necessary as the system had to be embedded in a wall annex/alcove at a height of 3 meters.
- The manual trolley direction band that runs the full height and length of the Crane, as seen on the picture, allow the user to move the load while remaining outside of the hazardous area.

Aluminium Custom-Made Gantry Crane



Description

- Gravestone system for lifting the gravestones with the help of a cross beam in an "H" construction with four secure load hooks.
- Area of usage: Graveyards and cemeteries.



- In the picture:
- Crane Transporter for transporting all components of the gravestone system (1).
 - A special trolley with guide pulley system facilitating the reduction of actual load by half (2).



Aluminium Custom-Made Gantry Crane

Description

- Boat Crane with Aluminium Cross Beam as well as integrated movable laterals stands.
- The unloaded Crane System can be moved and positioned exactly.
- The attached hand winch is used for lifting and lowering the boat.
- The boat when lifted can be moved along the main beam.



Aluminium Custom-Made Gantry Crane

Description

- Version: "Double Crane Boat System".
- In a boatyard at Lake Constance work on sailing boats is carried out.





Aluminium Custom-Made Gantry Crane



Description

- The heavy duty casters allow "moving under load".
- Through the top-mounted trolley a maximum lifting height up to the lower edge of the aluminium beam is achieved.

Aluminium Custom-Made Gantry Crane



Description

- Aluminium Gantry Crane movable under load with double beam for extremely narrow rooms.
- In a nuclear plant very heavy concrete blocks must be cut out and disposed of properly.



Aluminium Custom-Made Gantry Crane

Description

- Aluminium Gantry Crane in combination with a lateral extension beam.
- Load capacity 3,000 kg.
- Lateral extension beam with its two height adjustable feet and the cross beam can be placed over a machine. Through this disturbing edges can be avoided.
- You can find more lateral extension beams on page 85.



Aluminium Custom-Made Gantry Crane

Description

- Gantry Crane combined with a pneumatic cable winch. The Crane is used for securing two divers at the same time when performing underwater work, e.g. in the clearance of basins.
- In explosion-proof rooms a pneumatic cable winch is more and more often used.





Aluminium Custom-Made Gantry Crane



Description

- The lifting adjustment respectively the lifting possibility (even under load) was realized by incorporating a chain hoist on each of the lateral stands.
- Furthermore, the Custom-Made Aluminium Gantry Crane has a huge adjustment range in relation to its compact design.

Aluminium Custom-Made Gantry Crane



Description

Combination of:

- foot (1)
- boom lateral stand (2)
- integrated cantilever (3)

with the possibility that the load can be:

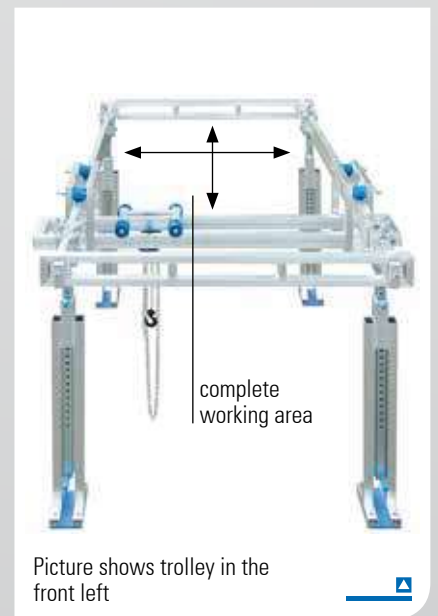
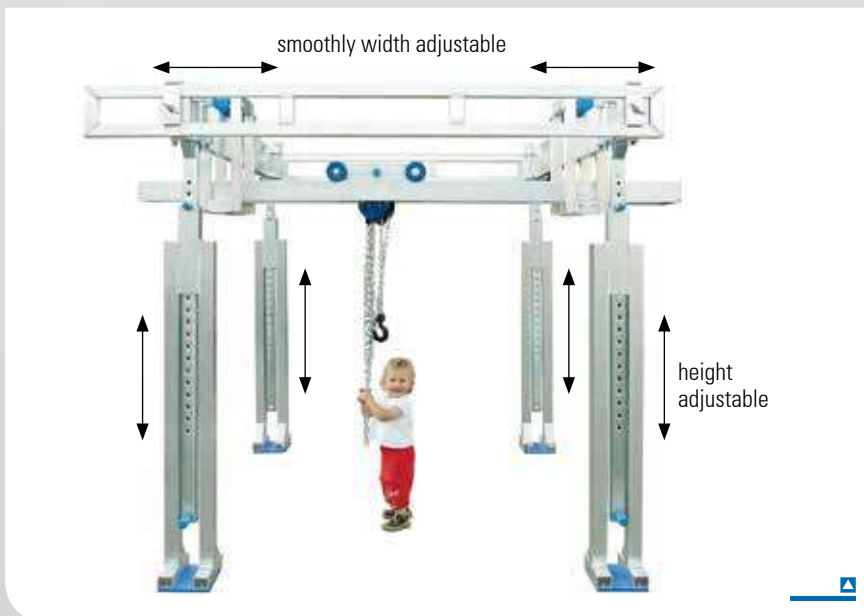
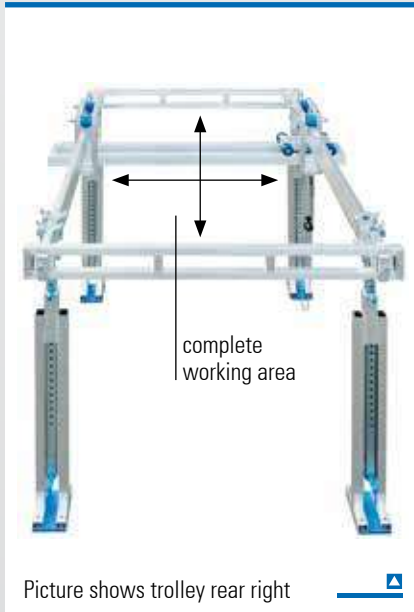
- lifted
- lowered
- with the chain drive, moved along the total length of the cantilever.

In addition:

- the system is individually height adjustable
- the boom lateral stand can be moved along the length of the cantilever.



Aluminium Custom-Made Gantry Crane



Description

- Extremely mobile, flexible and free-standing Crane System.
- With the trolley it is possible to reach all positions within the working area.
- Height adjustable.
- Length and width adjustable.
- Necessitates a highly complex construction.
- The components are despite the versatile possibilities easily assembled and disassembled.



Aluminium Custom-Made Slewing Crane



Description

- For this mobile Aluminium Slewing Crane the entire travel of the trolley is a key feature.
- The brace is located above the boom arm.

Aluminium Custom-Made Slewing Crane



Description

- Aluminium Slewing Crane with bendable boom arm and integrated hand winch for height adjustment.
- The slew area of the boom arm is 360°, the slew area of the bend is approx. 180°.



Aluminium Custom-Made Multilift

Description

- This Aluminium Custom-Made Multilift is movable under load.
- The boom can be rotated through 360°.
- The load is lifted and lowered using a movable and breakable trolley and an appropriate hoist.
- The counterweights are „rotating” at any time to ensure the necessary stability.
- Very compact and short design.



Aluminium Custom-Made Multilift

Description

- This Aluminium Custom-Made Multilift has been developed, designed and manufactured for a well known machine tool manufacturers.
- There was only a very confined lineup space available.
- The product covers an enormous workspace.
- Small basic dimensions.
- Telescopically boom arm.
- Height adjustment with integrated hand winch.
- The timber-framed mast rotates through 360°.
- All movements can also be made under load.





Aluminium Custom-Made Gantry Crane



Description

- A sculpture of „Michelangelo“ has been presented to a broad public in the Leipzig Museum of the Academy of Fine Arts.

- The Aluminium Gantry Crane used for that had extendable beam supports.
- With this system the Aluminium

Gantry Crane could be extended from a low construction height to above eight meters.

Aluminium Custom-Made Gantry Crane



Description

- A Geo-Research-Centre required a solution to perform deep drilling, for example for the exploration and use of alternative forms of energy such as geothermal energy.
- The Aluminum Custom-Made Gantry Crane is movable under load with 3,000 kg.
- The height adjustment is smoothly and possible under load. It's made by means of two chain hoists.



Aluminium Custom-Made Gantry Crane



Description

- Mobile Gantry Crane for the disassembling of robots in a production line of a German car manufacturer.
 - The ceiling height of the factory building was relatively low and the robots closely linked.
 - An individual and customized Special Aluminium Gantry Crane Solution from our company has complied with this extremely challenging task.
 - For this reason, the Custom-Made Aluminium Gantry Crane System is equipped with all possibilities for adjustments.
- All conceivable variants, such as height adjustment, width adjustment, longitudinal as well as transverse adjustment took into account here.
- Due to the timber frame structure even the largest existing robots with over 3,000 kg own weight can now be moved over the entire length of the separable respectively pluggable aluminium beams of 9.000 mm.





Aluminium Custom-Made Gantry Crane



Description

- Lightweight for heavy loads.
- Special tasks require special solutions.
- We are well known for always have the suitable tool – or to develop it.
- An example is the order of the largest brown coal power station in the Ruhr Area (Germany).

- The task:
For revision and modernization work on the roof of the power station a crane was needed. But for a classic revolving tower crane was no space.

- We, the team of SCHILLING, found a solution:
A Aluminium Custom-Made Gantry Crane of high quality aluminum profiles specially aligned to the requirements of the customer. It has a relatively low own weight and therefore stress to the structure of the building is not essential. The Aluminium Gantry Crane is due to its construction exceptionally resilient and stable. This already proved the tests on the company area in Friedrichshafen. The Aluminium Custom-Made Aluminum Gantry Crane with electric chain hoist lifts easily a medium class car to an extreme height and moves the load, also electric, on the trolley sideways. The commands for lifting, lowering and lateral movements are easily issued with a wireless remote control. Meanwhile, the special construction is securely installed on the roof of the brown coal power station for a longer time span. Afterwards the Aluminium Custom-Made Gantry Crane is used for other projects and applications on the colliery as a flexible tool.
- As the power plant operator numerous customers rely on our creativity and experience.

You can find more pictures on page 105.



Aluminium Custom-Made Gantry Crane





From the North Pole to the African Desert

Our know-how helps to realize high-flying projects. Developed and manufactured in our company, two Aluminium Gantry Cranes went on an expedition to Africa and to the North Pole in 2007.

As very often in life, it was a matter of chance. The important contact was established by a french stone cutter dealer. Professor Laurent Reynès, holding a chair in sculpture at the Ecole

d'Architecture in Strasbourg was looking for a 5.50 m high Crane for assembling ice blocks in a very heavy sculpture, a strictly geometric archway at the North Pole. All solutions he knew by then turned out to be unsuitable for transport or handling. Having the reputation of a creative company in our branch, we offered him an alternative. A lightweight Crane, made of special aluminium profiles, collapsible for

the transport in an aircraft and easy to put up on the spot. The product convinced the professor immediately. Today, the metal stand which met the requirements of the job with flying colours is installed in a research center in Siberia where it is used for deep drilling work in the eternal ice.

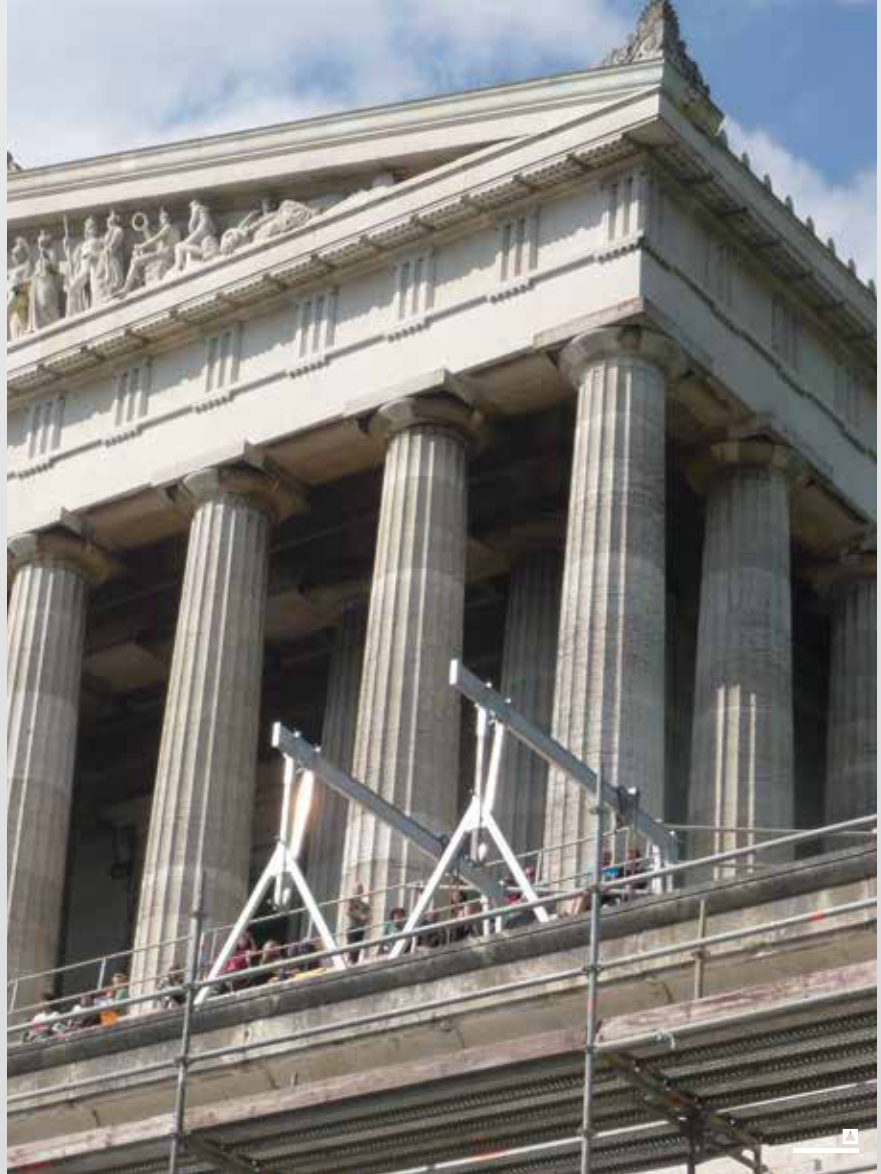




From the North Pole to the African Desert

Neither extreme cold weather nor heat do bother our cranes – the use in Africa proved it. In this case, the contact was established by a stone dresser dealer in Karlsruhe. The company „Restauration am Oberbaum“ was charged by the Egyptian Museum in Berlin to realize an archeological project on an old caravan track in Sudan. Also in this case it turned out that a Gantry Crane was optimally suitable for this use. Even the columns of temples could be rebuilt using this equipment. We supplied a perfect solution: a Gantry Crane with adjustable height between 3.50 and 8 meters and very low weight. The load capacity was 3 tons in this case. The detachable and easily screwable parts were shipped by seafreight to Sudan.









Copyright and Liability regulations

In the course of technical development and to comply with our customers' requirements, figures, listings, features, dimensions and weights of products may change without any obligation or prior notice.

We are not obliged to subsequently modify products already delivered. Moreover, we reserve the right to remove items from our range of deliverable products. Operating instructions and advice on handling and security are not binding and do not replace the legal or any other regulations (e.g. professional associations) prevailing in the respective countries.

No part of this catalogue may be reproduced in any way (be reprinting, copying, microfilm and the like) or translated into machine code or stored in electronic systems and processed there without the consent of SCHILLING Gerätebau e.K.

We assume no liability for printing errors and faults.



Conditions of Sale, Delivery and Payment of SCHILLING Gerätebau e.K.

1. Scope

The General Terms and Conditions stipulated hereafter apply to any order. Opposite or different terms and conditions of the purchaser apply only after our explicit written confirmation. We do not accept protection clauses of the purchaser.

2. Offer and Order

Orders placed with us, modifications or amendments as well as subsidiary agreements are only effective when in writing. Orders placed orally, by telephone or in any other form (text form) are considered as accepted by our written order confirmation.

3. Prices / Terms of Payment

The prices according to the price list valid at the moment of order placement apply. They are without engagement and in EURO ex works, without packing, freight, postage, insurance and other fees, plus the legal VAT.

For custom-made equipment, the prices stated in the order confirmation or separate calculation apply; for the rest as indicated above.

Unless otherwise agreed in writing, our invoices shall be payable as follows:

Within 10 days after date of invoice less 2% discount

Within 20 days after date of invoice net

The cost for payments are at the purchaser's expense, in case of delay in payment, we invoice interest in the amount of 5% above the discount rate of the Deutsche Bundesbank (German Central Bank).

4. Delivery

The agreed period of delivery starts with the date of the order confirmation, for custom-made equipment only after clarification of all details relating to the execution of the order. Fixed dates are only effective when confirmed by an explicit written confirmation.

In case of a delay in delivery, the purchaser is obliged to grant an additional period of time of reasonable length which shall be at least two weeks, together with a threat of rejection. After this additional period of time, the purchaser is entitled to withdraw from the contract.

Force majeure, disturbances of traffic or breakdowns, strike, lack of material or non-supply entitle us to extend the times of delivery accordingly unless we are responsible for the non-supply or the delay. Claims for damages due to a delay in delivery or non-delivery may only be asserted if we have acted with specific intent and this can be proven.

5. Packing, Shipment, Passing of Risk

Packing, shipment and passing of risk are determined by us unless otherwise agreed. Small parts and spare parts are sent by parcel service, all other products by forwarding agent. Shipping cost, freight and insurance are at the purchaser's expense.

Risk passes to the purchaser when the goods are delivered to the parcel service, the forwarding agent or the freight carrier.

Packing is at reasonable discretion at our expense, unless the purchaser has ordered a special packing (seaworthy box, etc.). Delivery is only made to the delivery address stated in the order confirmation. The forwarding agent has to be notified immediately of any transport damages. Transport damages have to be handled by the purchaser. They do not influence the due date of our claims for payment.

6. Warranty, Technical Modifications

We guarantee for all of the products manufactured and / or sold by us for one (1) year starting as of the day of delivery.

The warranty claims are first limited to the right of subsequent performance at our choice (repair of the defect or delivery of a product free of defects). Our failure of repair entitles the purchaser to withdraw from the contractor to request a reduction of the sales price. Any warranty claims resulting from defects due to incorrect mounting or start-up, particularly overload and lack of stability, as well as foreign spare and mounting parts are excluded. We cannot be held responsible for any optical defects.

The purchaser has to notify us of apparent defects within two weeks after delivery, if the purchaser culpably fails to observe this time limit, we cannot be held responsible anymore.

We explicitly reserve the right of technical modifications and further development in construction and design of our products.

7. Claims for Damages

We shall not be held responsible for claims for other damages irrespective of the cause in law unless these claims for damages are due to a grossly negligent breach of duty on our part or an intentional or grossly negligent breach of duty of our legal representative or a person employed by us in the performance of our duty.

This does not apply to the responsibility for damages resulting from injury of life, body or health due to a grossly negligent breach of duty on our part or an intentional or grossly negligent breach of duty of our legal representative or a person employed by us in the performance of our duty.

8. Reservation of Ownership

We reserve the right of ownership for the goods supplied by us until complete settlement of all claims arising under the contract.

We are entitled to take back the goods supplied in case of delay in payment without declaring the withdrawal from the contract. The purchaser has the right to resell the supplied goods in an ordinary business transaction. He assigns already now to us all claims resulting from the resale towards his customer or third parties up to the amount of our unsettled claims. This assignment is accepted by us by now.

We are entitled to disclose the assignment and to request payments directly to us unless the purchaser meets his current financial obligations towards us and there is no levy of execution against him, a request for opening the insolvency proceedings is not made and payments are not suspended.

If there is an excessive security of our claims amounting to more than 20% due to the agreed reservation of ownership, we are obliged, upon request of the purchaser, to release at our own option securities amounting to the excess value.

9. Place of Fulfillment and Jurisdiction, Choice of Law

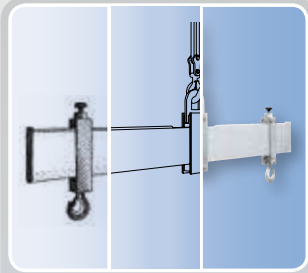
For all obligations arising from this contract, provided that the purchaser is a fully qualified merchant, the Tettwang County Court competent for Friedrichshafen or the Ravensburg Regional Court as general place of jurisdiction are agreed upon. Our right to bring an action against the purchaser remains unaffected.

The contract is ruled by the right of the Federal Republic of Germany to the exclusion of the United Nations Convention on Contracts for the International Sale of Goods as of April 11, 1980 (UN right of sale).

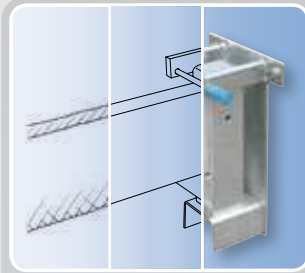
Friedrichshafen, July 2013



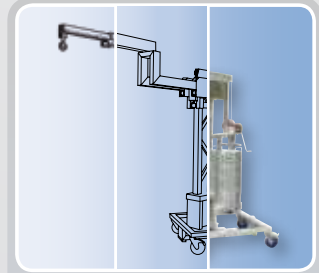
Aluminium Gantry
Cranes



Various Lifting
Equipment

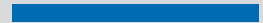


Accessories



Custom-Made
Equipment





▲ Made
▲ in
▲ Germany

SCHILLING ▲

SCHILLING Gerätebau e.K.
Ernst-Zimmermann-Str. 9-11
88045 Friedrichshafen
Germany

Phone: +49 7541 60404-0
Fax: +49 7541 60404-20
E-mail: mail@schilling-fn.de
www.schilling-fn.de

