



Aluminium-System kit up to 2.000 kg

- Many construction variants- one standard construction kit

- Monorail



- Monorail with curved travel



- Jacked up single girder crane

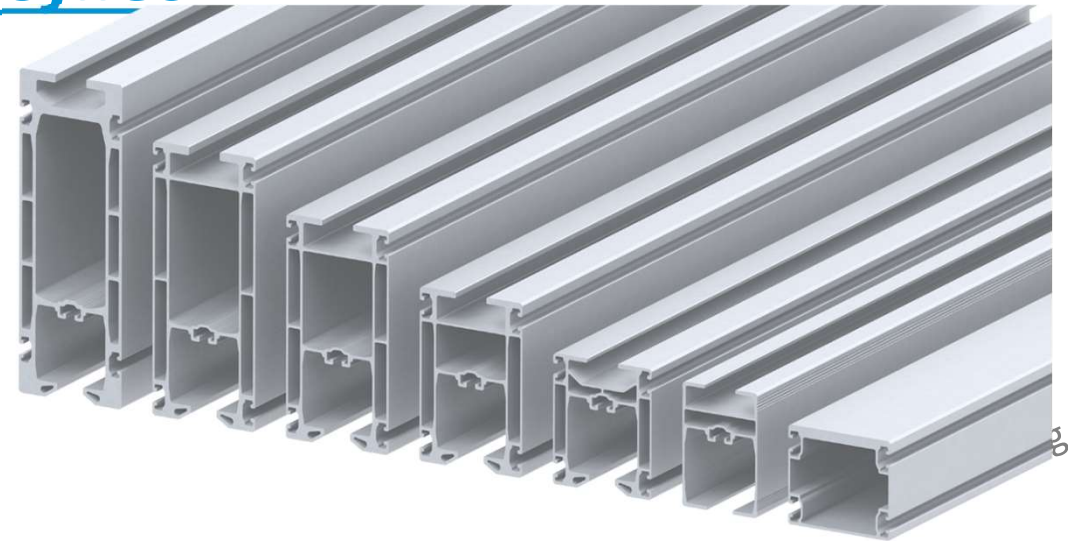


- Jacked up double-girder crane



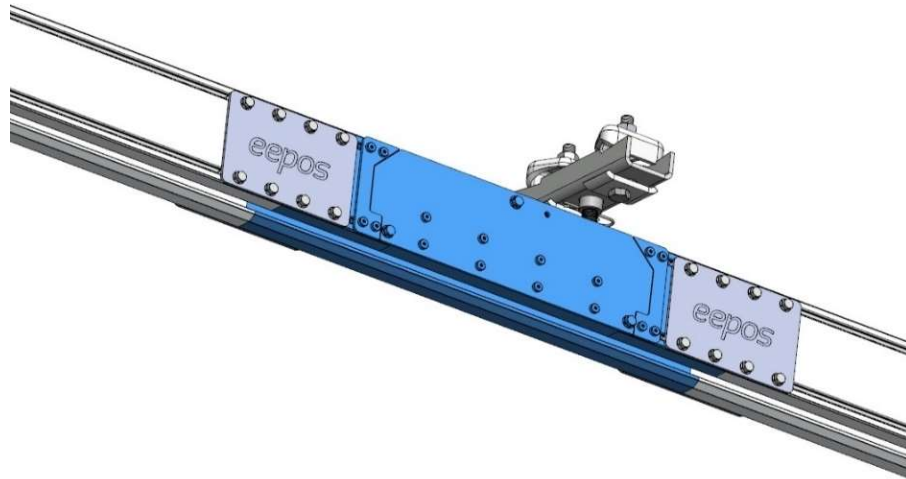
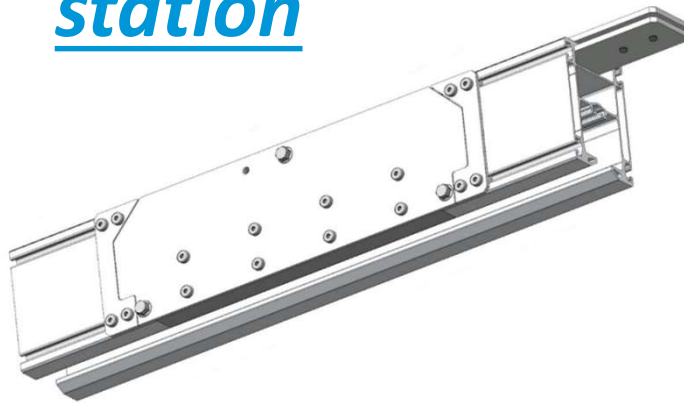
Features crane profiles

- 6 profile sizes –optimum ergonomics and cheap procurement
- Low dead weight with high rigidity due to hollow chambers
- External and internal item[®] slots
- Reinforcement profile for (subsequent) loading



Type	Höhe height	Flächenträgheitsmoment I _y moment of plane area
XXL	260 mm	~ 5.400 cm ⁴
XL	220 mm	~ 2.200 cm ⁴
L	180 mm	~ 1.230 cm ⁴
M	140 mm	~ 640 cm ⁴
S	105 mm	~ 255 cm ⁴
XS	100 mm	~ 110 cm ⁴

Heavy load – service station

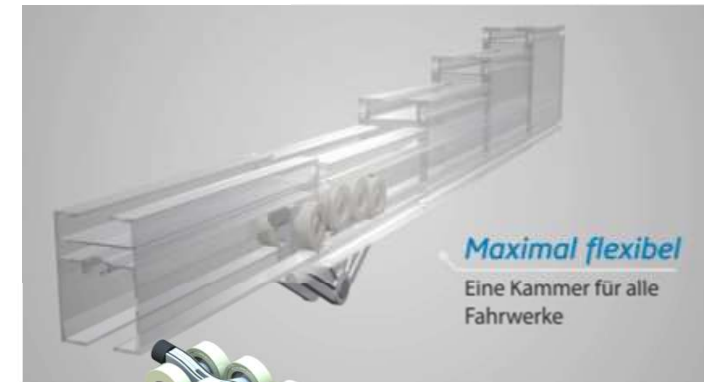


Firmly installed in the track, no longer has to be dismantled

- **Shocks are uniquely aligned and remain in this condition**
- **Full load capacity like the rest of the crane system**
- Suspension can also be positioned next to the service station
- All chassis types can be removed and inserted
- **Open and closing in less than 3 minutes - without tensions of the service window to guarantee an easy assemble.**

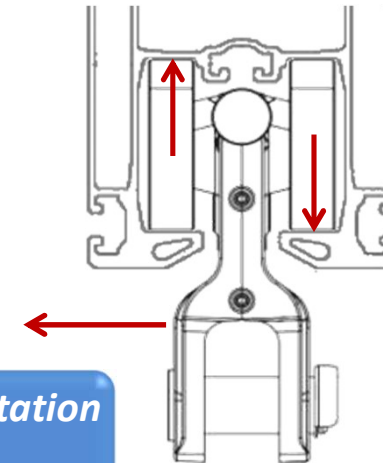
Features of eepos trolleys

- **1 trolley for all profiles**
 - one trolley for all profile types XS - XXL
- **Optimale guidance and power absorption in all direction due to upper rail**
- Perfect smooth-running without jamming
- Addition of e.g. dampers, brakes, collectors etc. directly at the load handling plant
- Outstandingly suitable for all systems



Ergonomics

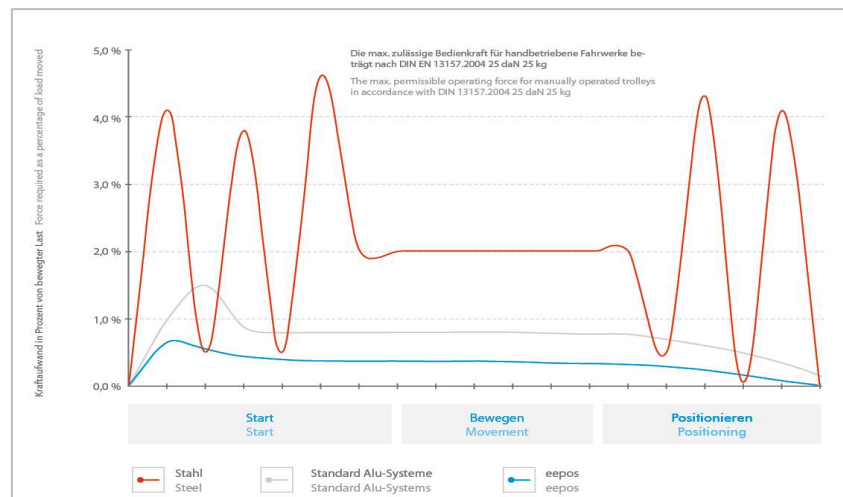
- Low breakaway forces and easy and quiet operation due to
 - ... perfect guided trolleys
 - ... low weight of all components
 - ... high quality of the components



Analysis of the work station ergonomic tool

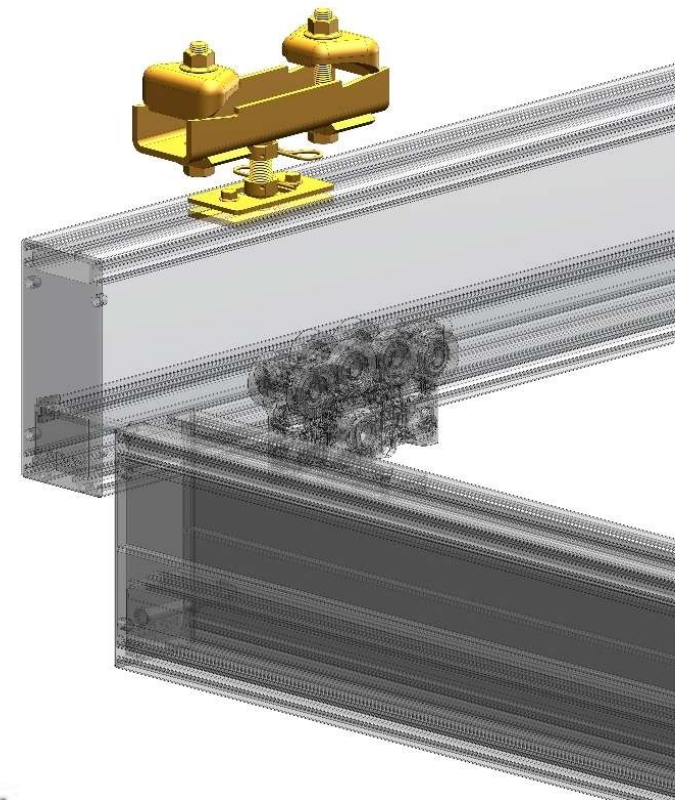
Effort for working with cranesystems

Last Load	Start Start	Bewegen Movement
100kg	0,5–0,8 kg	0,2–0,4 kg
250kg	1,3–1,9 kg	0,5–0,8 kg
500kg	2,5–3,8 kg	1,0–1,9 kg
750kg	3,8–5,6 kg	1,5–2,9 kg
1000kg	5,0–7,5 kg	2,0–3,8 kg



Suspensions

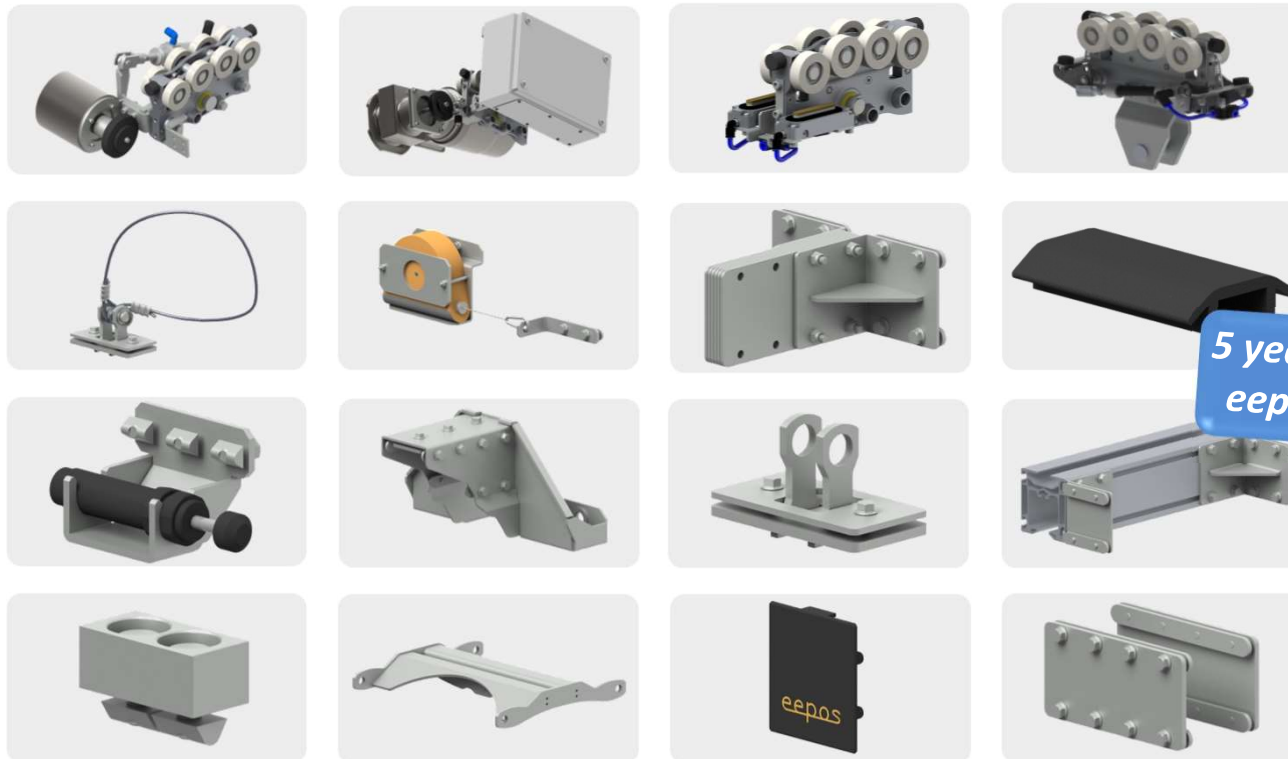
- For attachment to I-beams
- high flexibility trough built-in ball joints
- Adjustment range in the height of **40 mm**
- 3 different sizes for flange width of **50 to 310 mm**





Comprehensive Supplies

- Almost all supplies. – Anytime available at [eeworld](#).



5 year guarantee for
eepos components

Part No.	Description	Material	Weight	Volume	Lead Time
10000001	Hydraulic cylinder	Alu	15.2	0.001	14
10000002	Roller	St	0.5	0.0001	14
10000003	Bracket	Alu	2.1	0.0001	14
10000004	Roller	St	0.5	0.0001	14
10000005	Bracket	Alu	2.1	0.0001	14
10000006	Roller	St	0.5	0.0001	14
10000007	Bracket	Alu	2.1	0.0001	14
10000008	Roller	St	0.5	0.0001	14
10000009	Bracket	Alu	2.1	0.0001	14
10000010	Roller	St	0.5	0.0001	14
10000011	Bracket	Alu	2.1	0.0001	14
10000012	Roller	St	0.5	0.0001	14
10000013	Bracket	Alu	2.1	0.0001	14
10000014	Roller	St	0.5	0.0001	14
10000015	Bracket	Alu	2.1	0.0001	14
10000016	Roller	St	0.5	0.0001	14
10000017	Bracket	Alu	2.1	0.0001	14
10000018	Roller	St	0.5	0.0001	14
10000019	Bracket	Alu	2.1	0.0001	14
10000020	Roller	St	0.5	0.0001	14

