

# CRAFTster hand chain block

for loads from 250 up to 20,000 kg



CRAFTster

- **Optimum use of space**

Compact design and optimum approach dimensions, handy for transportation to site of operation

- **Flexible usage**

Wide range of applications, independent to power supply, heavy duty model as option, heavy load and explosion proof version available

- **High safety in operation**

Robust industrial design, proven design, high quality interior parts


- **Gentle operation**

Low unit weight, chain nut with ball bearings as an option

**Standard scope of delivery:**

- ISO hook equipped with safety latch and inspection points
- 3 m lifting height
- Hand and load chain galvanized, made in Europe
- Epoxy powder coating, 70 µm
- Ambient temperature -20°C up to +40°C

**Options:**

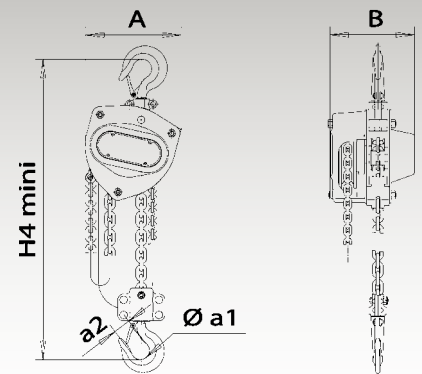
- Push trolley or chain driven trolley
- Stainless steel chain
- Lifting heights higher than 3 m
- Epoxy powder coating, 200 µm
- Heavy duty model also for outdoor use up to 20,000 kg
- Explosion proof version 
- Beam clamp up to 5,000 kg
- Slipping clutch as overload protection



Hand chain block for loads from 250 up to 20,000 kg.  
Optimum use of space, high safety in operation and  
wide range of applications.

# CRAFTster

Load kg	Dimensions, mm					Chain mm	Max. force on hand chain, kg	Weight kg
	A	B	a1	a2	H4 mini			
250	121	114	31	21	280	4x12	23	6,5
500	148	132	35	23	345	5x15	24	9,3
1.000	172	151	40	27	376	6x18	25	12,2
1.500	196	173	45	33	442	7,1x21	26	16,5
2.000	210	175	50	35	470	8x24	33	19,5
3.000	255	205	55	39	548	10x28	37	32
5.000	280	189	65	45	688	9x27	36	41,3
7.500	433	189	75	54	690	9x27	38	62
10.000	463	189	75	57	765	9x97	38	78,5
12.500	430	220	75	54	835	9x97	38	110
16.000	718	200	95	71	900	9x97	38	135
20.000	840	200	106	85	950	9x97	38	192



CRAFTster with chain driven trolley FKH with short headroom up to 20,000 kg



CRAFTster MHS with upper hook, without overload protection up to 5,000 kg



CRAFTsterGT MHH with upper hook, with overload protection up to 20,000 kg



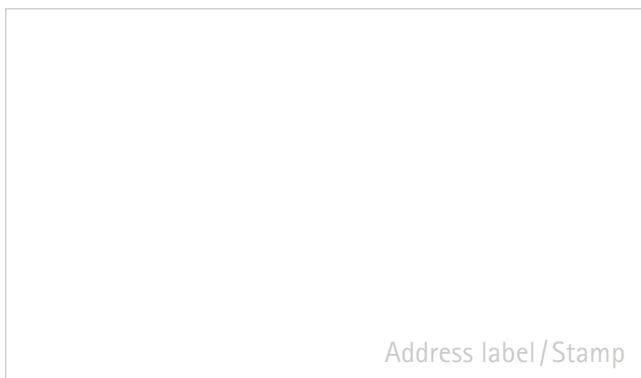
CRAFTster with chain driven trolley FKH, explosion proof up to 20,000 kg



CRAFTster MHS with upper hook, explosion proof up to 20,000 kg



Beam clamp BC up to 5,000 kg



Chain driven trolley FNH up to 20,000 kg



Push trolley FND up to 20,000 kg



Explosion proof push trolley FND, explosion proof up to 20,000 kg

Look ahead!