

Electric chain hoist SEK for loads up to 2,000 kg



Electric chain hoist SEK



In our SEK series, we have packed high-performance motors into a compact and rugged design. The easy to install hoists guarantees long service life, reliable operation and low maintenance costs. Proven European technologies, DIN based hooks with safety latch and DAT class grade 80 chain supports the SEK series with high quality. The hoist body is protected from the hook block with a large rubber buffer. A slipping clutch limits the end positions and the maximum load. The hoists are available with upper hook suspension, push and motor trolley. These high quality chain hoists are particularly suitable for a wide range of applications.

Standard scope of delivery:

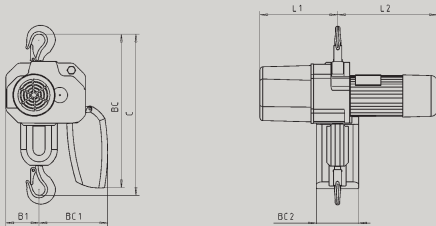
- Single lift speed
- Up to 1.000 kg with single chain fall
- Contactor controls
- Motor performance 50% ED, 300 start/hour
- Push button pendant with Emergency-Stop & strain relief cable
- Black extruded polyethylene chain container
- 3 m lifting height
- Slipping clutch
- Upper hook
- Protection mode IP55
- Surface protection: powder coating, resin epoxy polyester, 70 µm
- Asbestos free disc brake

Options:

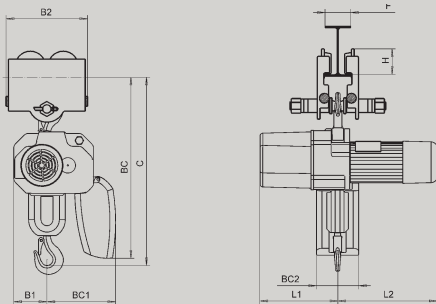
- Push trolley
- Motor trolley drive
- Other lifting heights



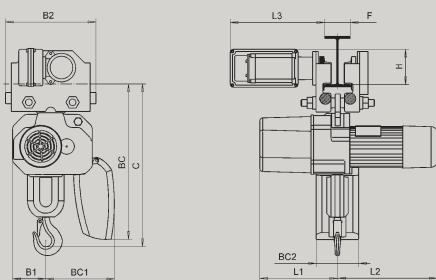
Electric chain hoist SEK for loads up to 2.000 kg. Efficient and economical usage with the highest quality.



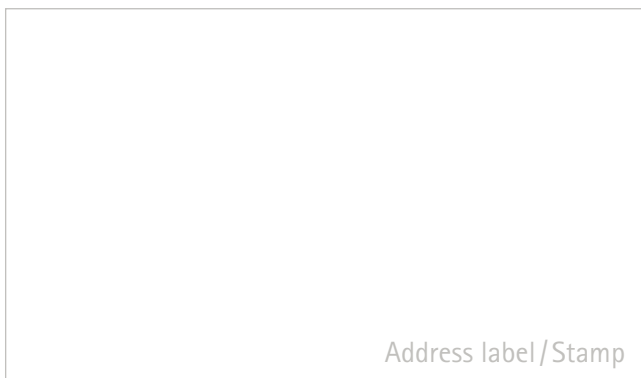
Load kg	Type OH	Chain mm	C mm	L1 mm	L2 mm		BC mm	BC1 mm	BC2 mm	B1 mm			
500	SEKb	6 x 18	399	238	290		496	165	150	137			
1.000	SEKc	8 x 24	486	275	353		548	198	150	153			
2.000	SEKd	8 x 24	570	275	353		548	237	180	117			



Load kg	Type FND	Chain mm	C mm	L1 mm	L2 mm		BC mm	BC1 mm	BC2 mm	B1 mm	B2 mm	F mm	H mm
500	SEKb	6 x 18	461	238	290		558	165	150	137	206	50-310	66
1.000	SEKc	8 x 24	598	275	353		630	198	150	153	242	65-310	76
2.000	SEKd	8 x 24	667	275	353		645	237	180	117	288	65-310	92



Load kg	Type FNU	Chain mm	C mm	L1 mm	L2 mm	L3 mm	BC mm	BC1 mm	BC2 mm	B1 mm	B2 mm	F mm	H mm
500	SEKb	6 x 18	403	238	290	339	500	165	150	137	281	55-310	117
1.000	SEKc	8 x 24	467	275	353	339	529	198	150	153	281	55-310	117
2.000	SEKd	8 x 24	573	275	353	339	551	237	180	117	320	55-310	126



Look ahead!